



# WINDPOWER PRO

Windpower Pro User Manual  
散熱器說明書

## Windpower Pro Accessories

1 Air CPU Cooler 空冷散熱器	2 120mm RGB Rainbow LED PWM Fan 120mm RGB 幻彩LED PWM 風扇 <b>X2</b>	3 Intel 1700/1200/115x Cooler Base Mounting Bracket Intel 散熱器底座固定支架
4 AMD Cooler Base Mounting Bracket AMD 散熱器底座固定支架	5 Intel 2011/2066 Cooler Base Mounting Bracket Intel 2011/2066 散熱器底座固定支架	6 Intel/AMD Mounting Bracket Screw Intel/AMD 固定支架螺絲 <b>X4</b>
7 Intel Reinforced Metal Backplate Intel 金屬強化背板	8 Metal Wire Fan Mounting Clips 金屬風扇安裝鐵絲扣 <b>X4</b>	9 Fan Clip Cushion Pad 風扇扣具墊片 <b>X4</b>
10 Thermal Paste 散熱膏	11 Mini ARGB LED Controller 迷你 ARGB 控制器	12 ARGB Fan Cable ARGB 主板同步線
		13 PWM Cable/PWM 風扇線

## Intel LGA 1700/1200/115x

1 	2 
<ul style="list-style-type: none"> <li>Insert screw bolts to Intel LGA1700/1200/115x backplate mounting holes.</li> <li>Install screw bolt washers to lock the screw bolts &amp; backplate.</li> <li>安裝螺桿對準後插入Intel LGA1700/1200/115x強化背板孔位</li> <li>安裝強化背板絕緣墊片·套上螺桿後壓緊</li> </ul>	<ul style="list-style-type: none"> <li>Make sure the screw bolt is lock in on the backplate.</li> <li>Install the backplate to motherboard.</li> <li>請確認螺桿有正確鎖在強化背板上</li> <li>安裝強化背板對準主機板安裝孔</li> </ul>
3 	4 
<ul style="list-style-type: none"> <li>Remove cooler base protective film.</li> <li>移除散熱器底座保護膜</li> </ul>	<ul style="list-style-type: none"> <li>Clean the CPU surface.</li> <li>CPU表面擠適量散熱膏·塗抹均勻</li> </ul>
5 	6 
<ul style="list-style-type: none"> <li>Install the Intel cooler base mounting brackets.</li> <li>安裝Intel散熱器底座固定支架</li> </ul>	<ul style="list-style-type: none"> <li>Align the Intel cooler base mounting brackets to backplate screw bolts, then place the air cooler on the CPU carefully.</li> <li>Using spring screw nuts to complete the air cooler and motherboard installation.</li> <li>安裝散熱器對準背板螺桿後放置在CPU上</li> <li>使用彈簧螺母完成散熱器及主機板的安裝</li> </ul>
7 	8 
<ul style="list-style-type: none"> <li>Install cooling fan using included fan clips.</li> <li>安裝散熱風扇</li> </ul>	<ul style="list-style-type: none"> <li>Connect cooling fan 4Pin PWM connector to motherboard CPU Fan socket.</li> <li>連接散熱風扇4Pin PWM接頭到主機板CPU Fan孔位</li> </ul>

## Cooling Fan Installation A

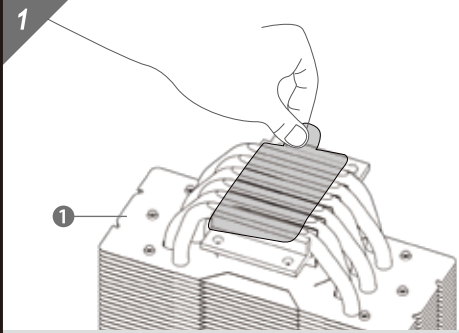
- Please remove the dual fan before cooler installation, so there is no interference during installation.
- If you like to adjust the fan position for aesthetic purpose or avoid cooling fan touching the component with special design motherboard, please use Cooling Fan Installation B.
- 安裝散熱器時請移除雙風扇確保安裝過程中沒有任何零件干涉
- 如果因外觀需求或特殊主板零件干涉問題·您可以使用 Cooling Fan Installation B 方案

## Cooling Fan Installation B

- Stick the fan clip cushion pad the bottom of cooling fan screw holes, this only apply when top of the fan is touching the top RGB cover.
- Clip the cooling fan to the heatsink, repeat again for second fan to complete the dual fan installation.
- 請黏貼風扇扣具墊片在風扇底部兩個螺絲孔位·此墊片用於風扇上方有接觸RGB上蓋時的狀況
- 使用鐵絲風扇扣具安裝風扇·重覆相同步驟完成另一側風扇安裝

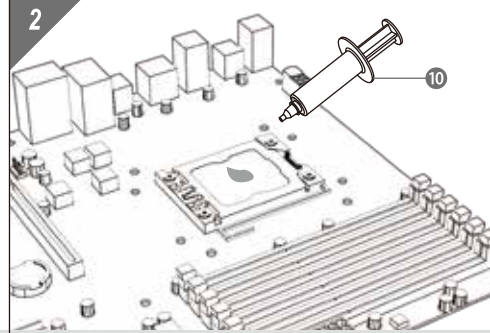
1. Keep and store the product away from the reach of children.
  2. Check the component list and condition of the product before installation. If there is any problem, contact the shop where you purchased to get a replacement or refund.
  3. Xigmatek Co., Ltd. is not responsible for any damages due to external causes, including but not limited to, improper use, problems with electrical power, accident, neglect, alteration, repair, improper installation, and improper testing.
  4. CPU and motherboard are subject to damage if the product is incorrectly installed.
1. 請放置于兒童無法接觸的地方。
  2. 安裝前請檢查產品及零件包，如有任何問題，請聯絡購買商店。
  3. 產品因非自然的外在因素所造成的損壞，如有下列狀況發生，則產品皆不適用於富鈞科技產品保固條款，因意外事件、人為破壞、誤用、未授權拆卸、天然災害、錯誤安裝或電源問題所造成之損壞。
  4. CPU & 主機板如未按標準安裝，不適用於富鈞科技產品保固條款。

## AMD AM3/AM4/AM5



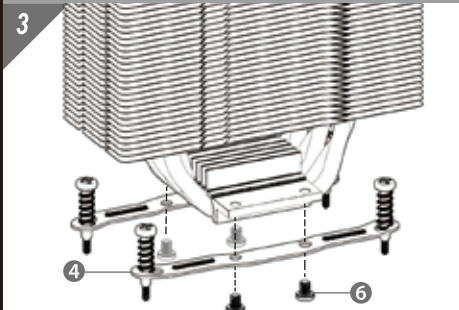
• Remove cooler base protective film.

• 移除散熱器底座保護膜



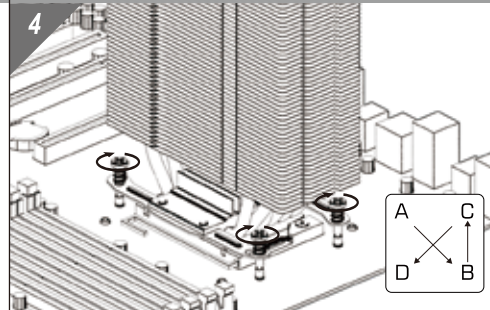
• Clean the CPU surface.  
• Apply and spread the thermal paste to CPU evenly.

• 清潔CPU表面  
• CPU表面擠適量散熱膏，塗抹均勻



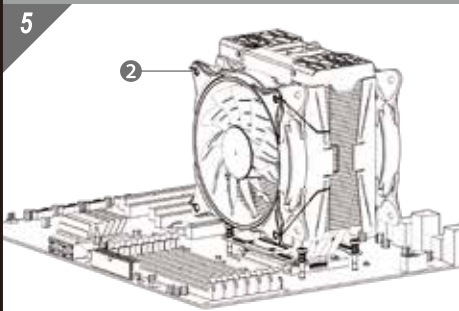
• Install the AMD cooler base mounting brackets.

• 安裝AMD散熱器底座固定支架



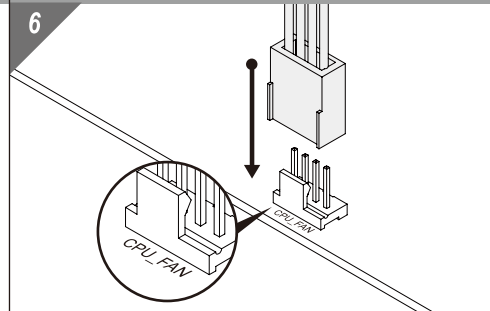
• Align the AMD cooler base mounting brackets to backplate screw bolts, then place the air cooler on the CPU carefully.  
• Using spring screw nuts to complete the air cooler and motherboard installation.

• 安裝散熱器對準背板螺桿後放置在CPU上  
• 使用彈簧螺絲完成散熱器及主機板的安裝



• Install cooling fan using included fan clips.

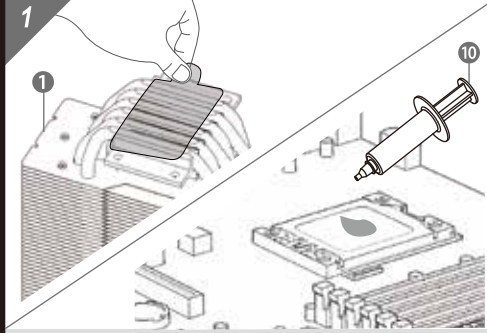
• 安裝散熱風扇



• Connect cooling Fan 4Pin PWM connector to motherboard CPU Fan socket.

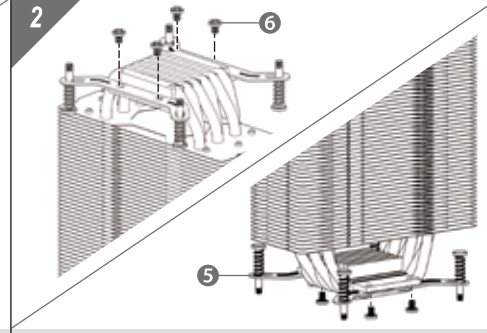
• 連接散熱風扇4Pin PWM街頭到主機板CPU Fan孔位

## Intel LGA 2011/2066



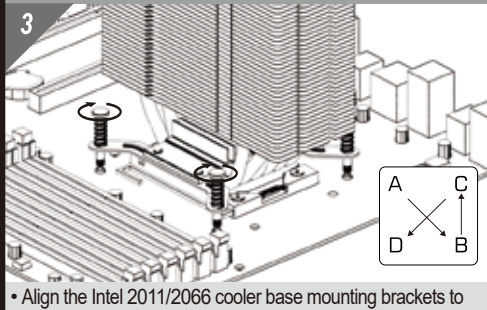
• Remove cooler base protective film.  
• Clean the CPU surface.  
• Apply and spread the thermal paste to CPU evenly.

• 移除散熱器底座保護膜  
• 清潔CPU表面  
• CPU表面擠適量散熱膏，塗抹均勻



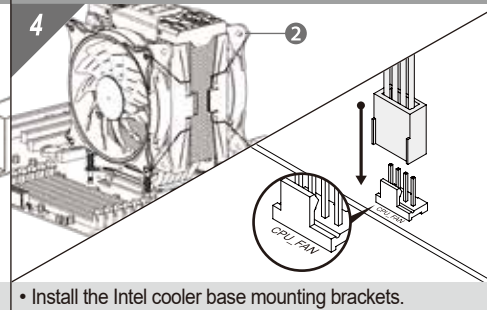
• Install the Intel 2011/2066 cooler base mounting brackets.

• 安裝Intel 2011/2066散熱器底座固定支架



• Align the Intel 2011/2066 cooler base mounting brackets to backplate screw bolts, then place the air cooler on the CPU carefully.  
• Using spring screw pillar to complete the air cooler and motherboard installation.

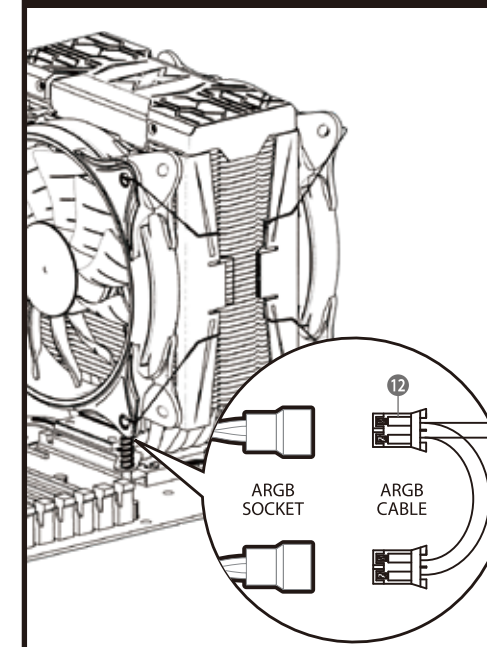
• 安裝散熱器對準背板螺桿後放置在CPU上  
• 使用彈簧螺絲完成散熱器及主機板的安裝



• Install the Intel cooler base mounting brackets.  
• Install cooling fan using included fan clips.  
• Connect cooling fan 4Pin PWM connector to motherboard CPU Fan socket.

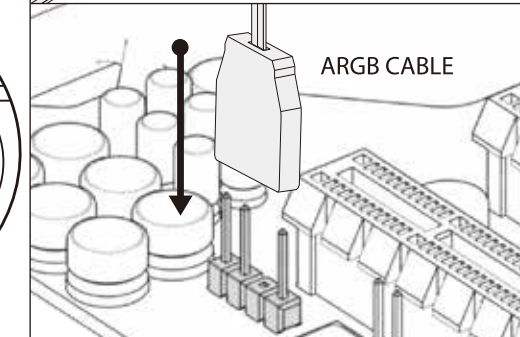
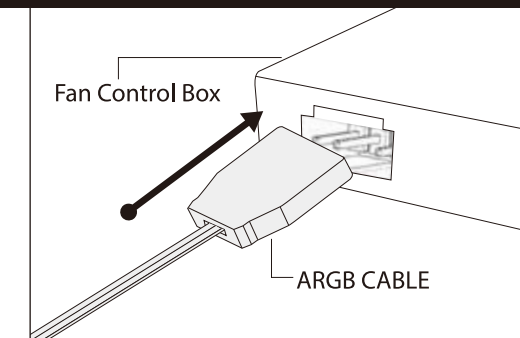
• 安裝散熱風扇  
• 連接散熱風扇4Pin PWM街頭到主機板CPU Fan孔位

## 120mm ARGB Cooling Fan Cable & Connector Installation



• Make sure the ARGB cable included is connect to ARGB socket

• 請確認將ARGB線材連接散熱器的ARGB插座



• Please make sure the motherboard or fan control box are ARGB MB SYNC certified

• 請確認主機板或風扇控制盒是ARGB主機板同步認證

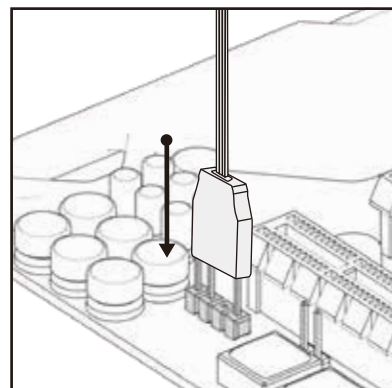
## ARGB Connector Instruction & Mini ARGB LED Controller Instruction ARGB連接使用說明 & 迷你ARGB控制器使用說明

### ● ARGB Mother SYNC Mode

Please connect the 3pin ARGB connector to ARGB Motherboard, plug and auto switch to ARGB Motherboard SYNC mode.

### ● ARGB主機板同步模式

將 3pin ARGB 插入至主機板 ARGB 針腳並自動同步模式

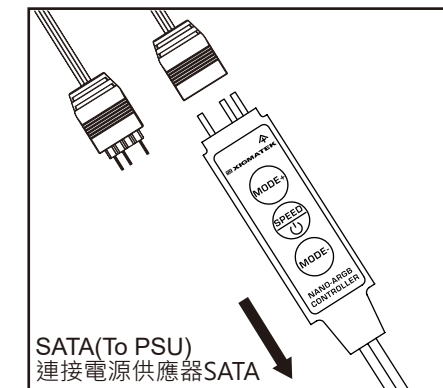


### ● Mini ARGB LED Controller Mode

Please connect the 3pin ARGB connector to Mini ARGB LED Controller, plug and play.

### ● 迷你 ARGB 控制器模式

將 3pin ARGB 連接頭插入迷你控制器並運作



SATA(To PSU)  
連接電源供應器SATA

### LED Display Mode :

Click MODE+ or MODE- Button to Switch Different LED Display

單擊MODE+或MODE-切換LED模式

MODE+ MODE-

### LED Speed:

Click to Switch LED Speed.

單擊切換 LED 速度

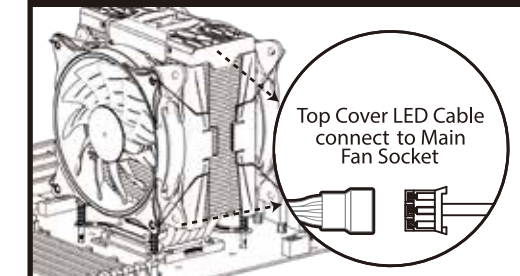
### LED ON/OFF:

Click and Hold More Than 3 Seconds for LED On or Off.

長按三秒開或關LED



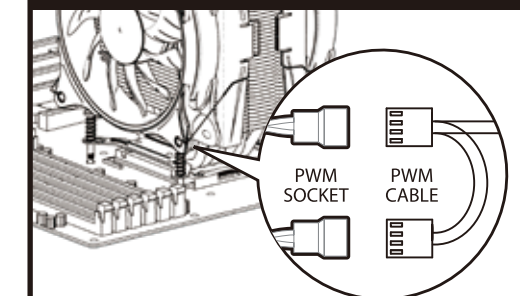
## ARGB Top Cover LED Cable Installation



• Make sure the Top Cover LED cable is connect to main fan Top Cover LED socket

• 請確認將上蓋LED燈板線材連接主風扇的上蓋LED插座

## 120mm Cooling Fan PWM Cable & Connector Installation



• Make sure the PWM cable included is connect to PWM socket

• 請確認將PWM線材連接散熱器的PWM插座