



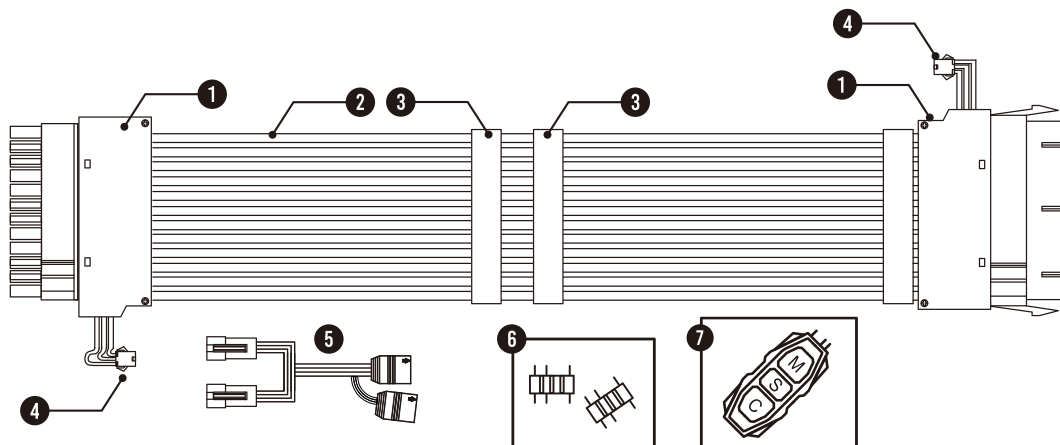
iCOVER MB 24P ARGB PSU CABLE COVER KIT

USER MANUAL



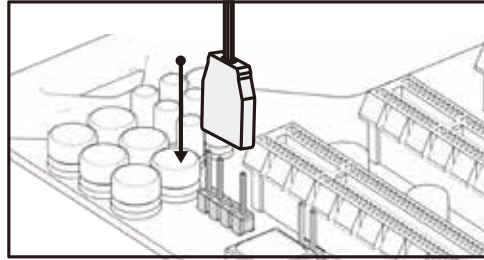
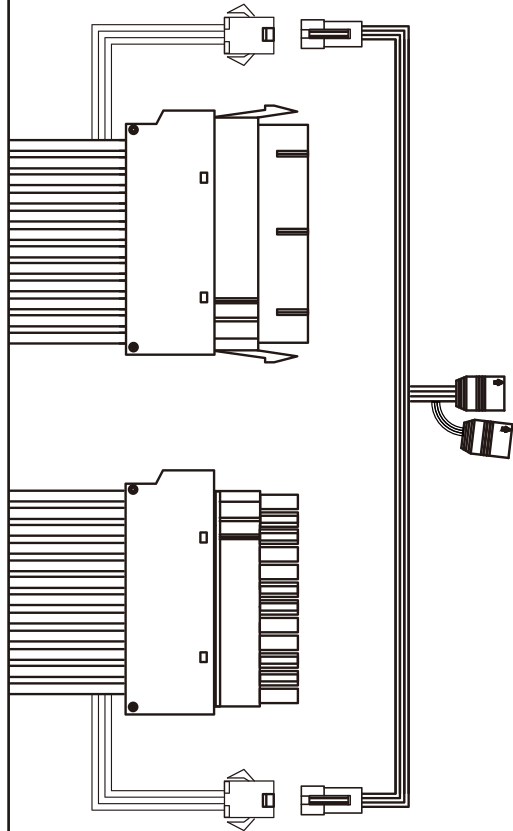
<http://www.xigmatek.com>
E-mail : sales@xigmatek.com
2021 © XIGMATEK Co., Ltd. All rights reserved.
All trademarks are the property of their respective owners.

iCOVER MB 24P ARGB PSU CABLE COVER KIT



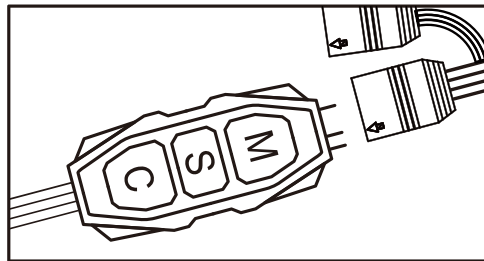
- ① ARGB LED HUB
- ② TUBE TRANSPARENT CABLE COVER
- ③ TRANSPARENT CABLE COMB
- ④ 3PIN LED POWER CONNECTOR
- ⑤ ARGB MB SYNC CABLE
- ⑥ 3PIN MALE TO MALE CONNECTOR
- ⑦ MINI ARGB LED CONTROLLER

ARGB MOTHERBOARD SYNC MODE



ARGB MOTHER SYNC MODE

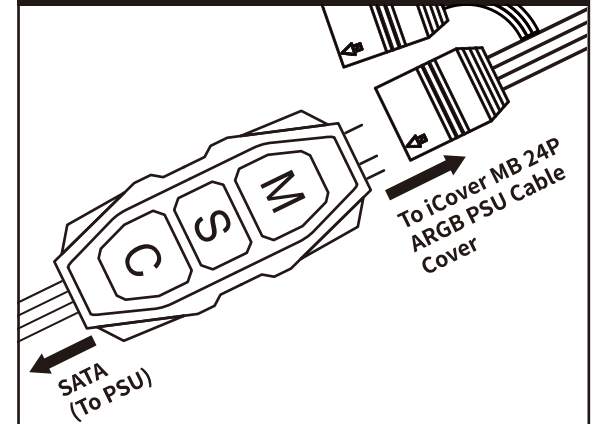
Please connect the 3P ARGB connector to ARGB Motherboard, plug and auto switch to ARGB Motherboard SYNC mode.



MINI ARGB LED CONTROLLER MODE

Please connect the 3P ARGB connector to Mini ARGB LED Controller, plug and play.

MINI ARGB LED CONTROLLER



LED DISPLAY MODE :
Click to Switch Different LED Display.



LED SPEED:
Click to Switch LED Speed.



LED ON/OFF:
Click and Hold More Than
3 Seconds for LED On or Off.

LED COLOR MODE:
Click to Switch Different LED Color.

LED BRIGHTNESS:
Click and Hold to Switch Different
LED Brightness.