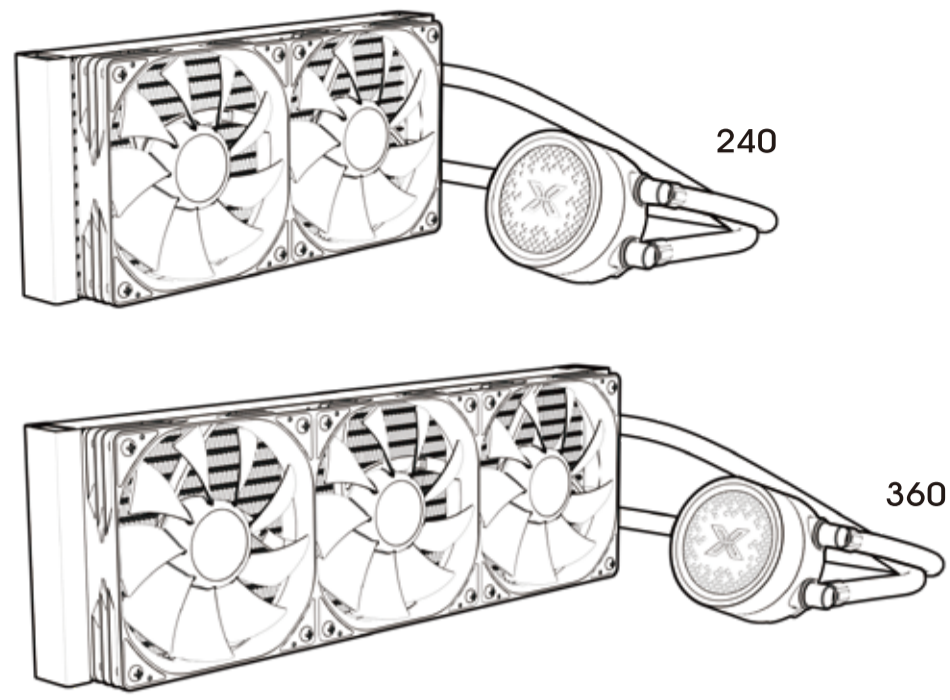
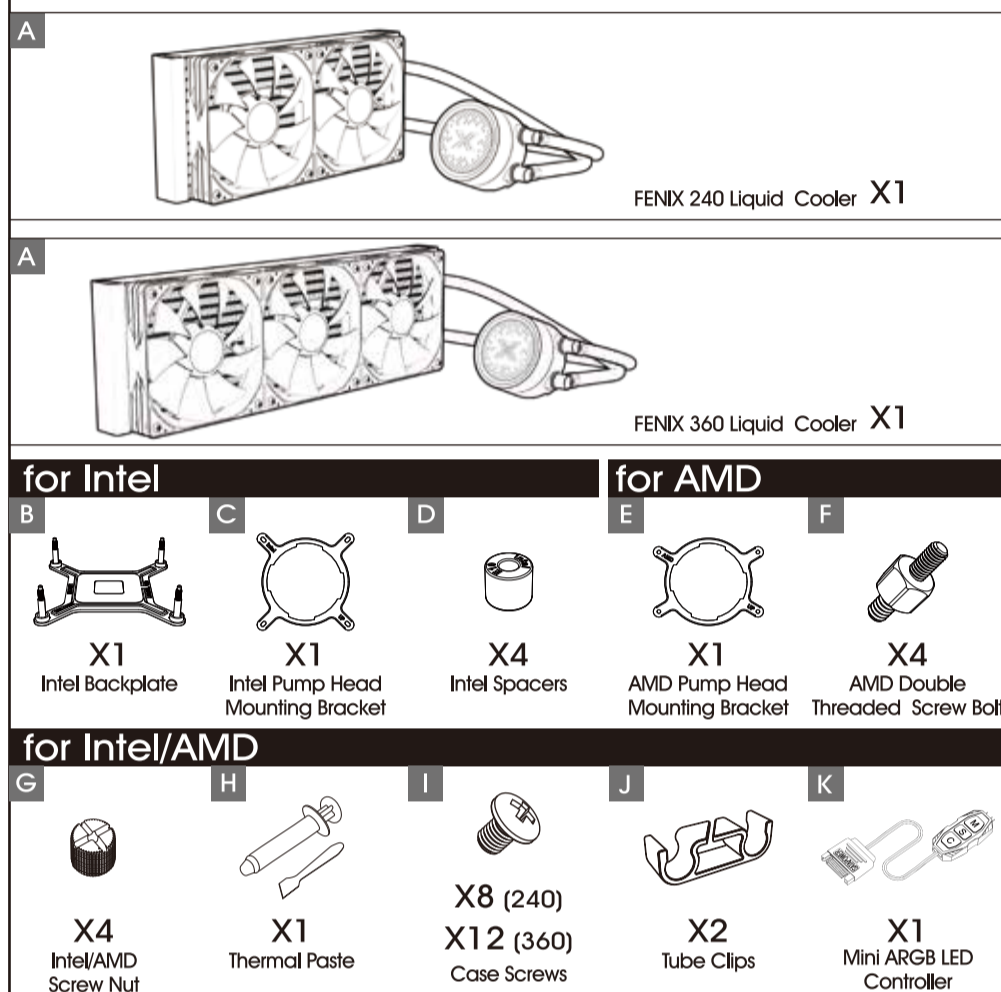


FENIX Series User Manual



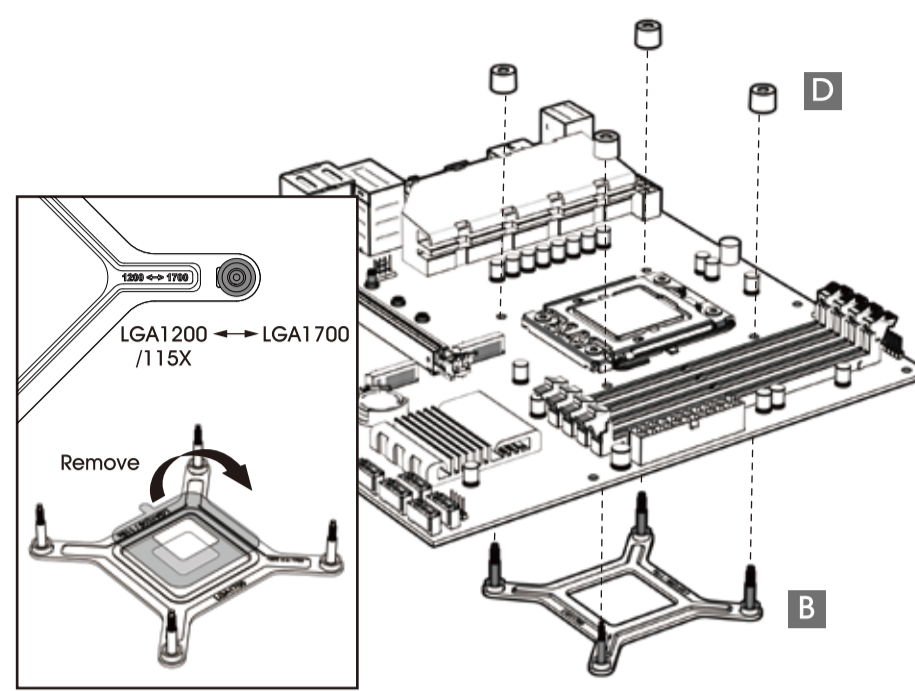
FENIX Series Accessories



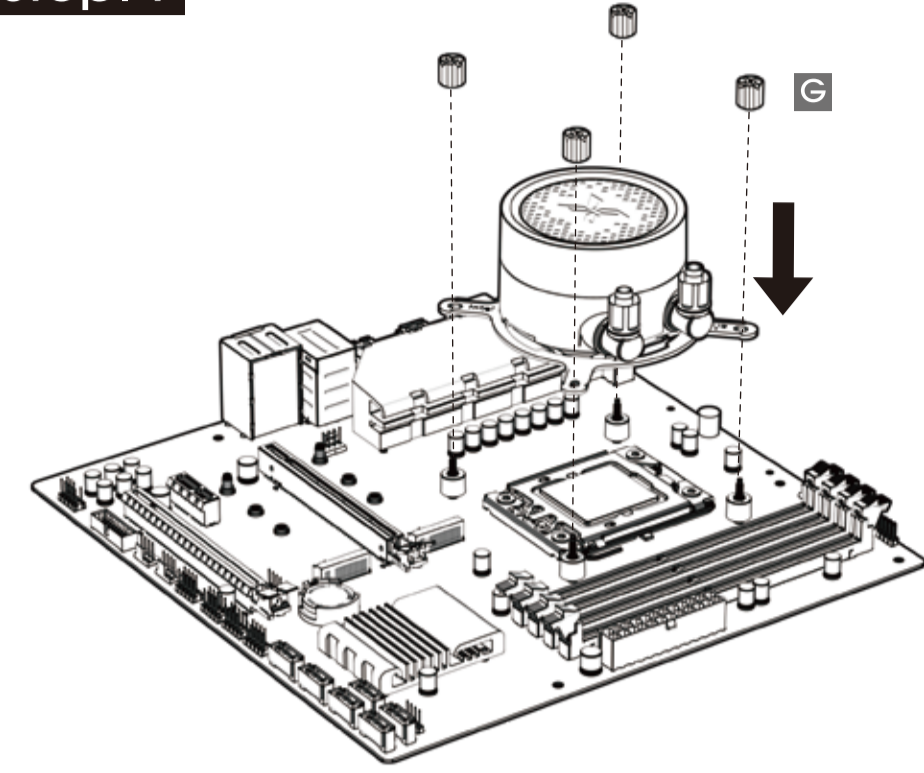
Intel Installation Guide

For Intel LGA 1700/1200/115X

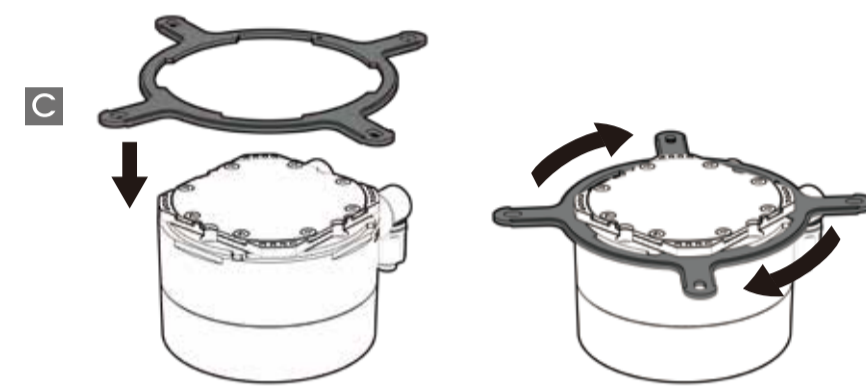
Step.1



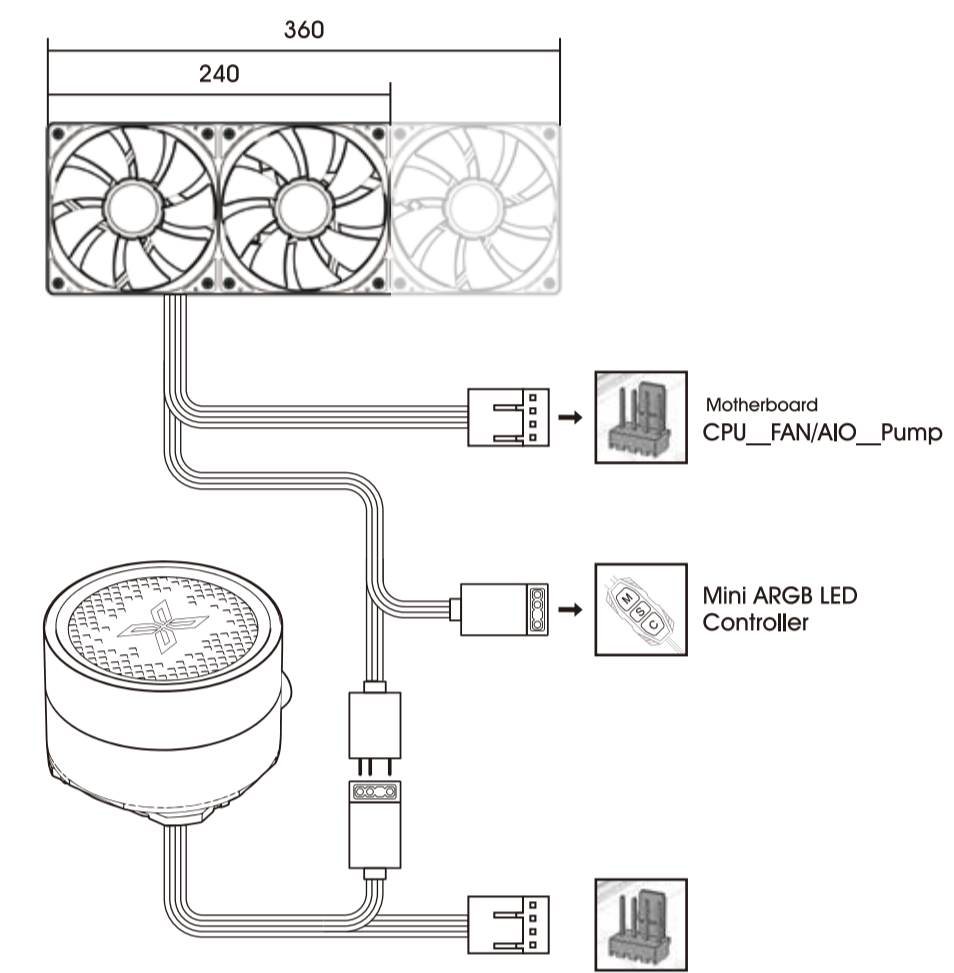
Step.4



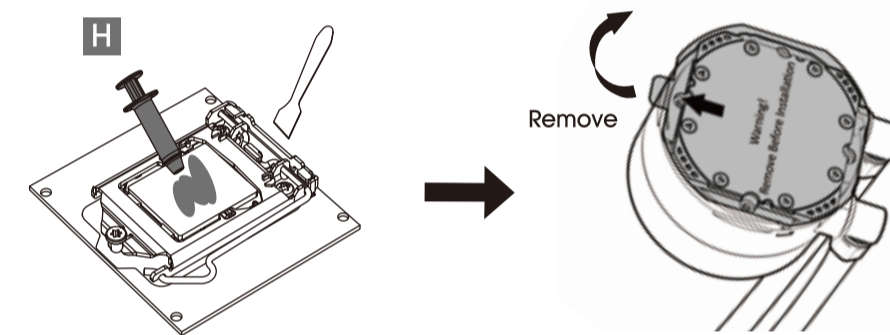
Step.2



Step.5



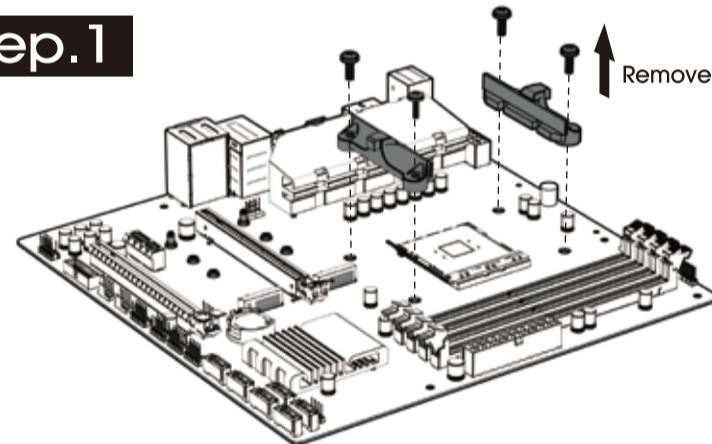
Step.3



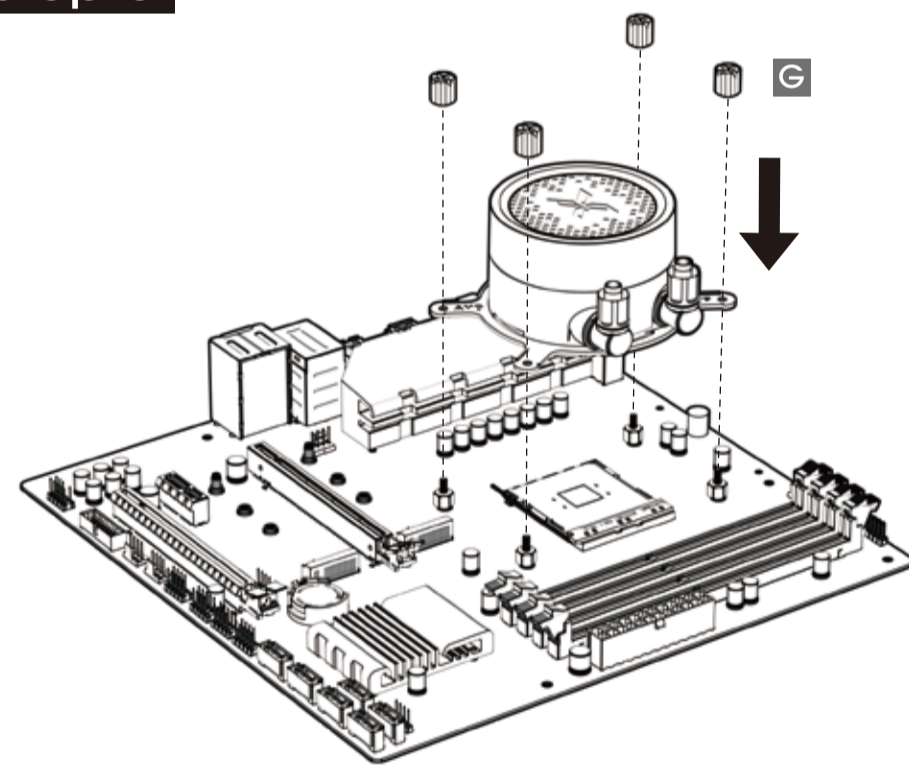
AMD Installation Guide

For AMD AM5/AM4

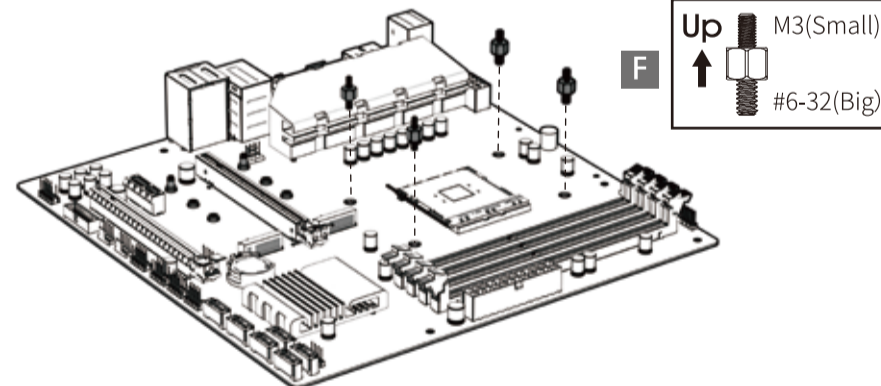
Step.1



Step.5

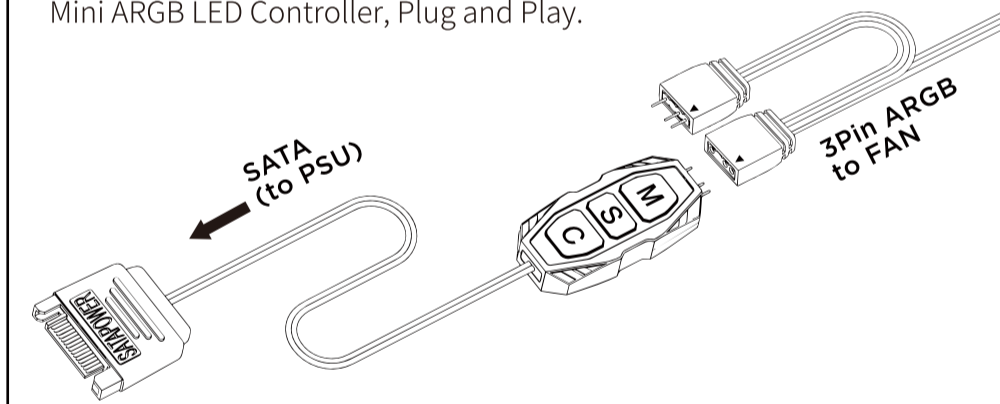


Step.2

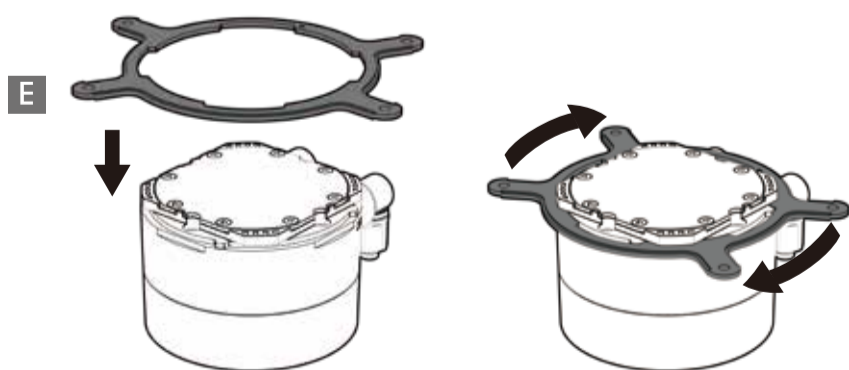


Mini ARGB LED Controller

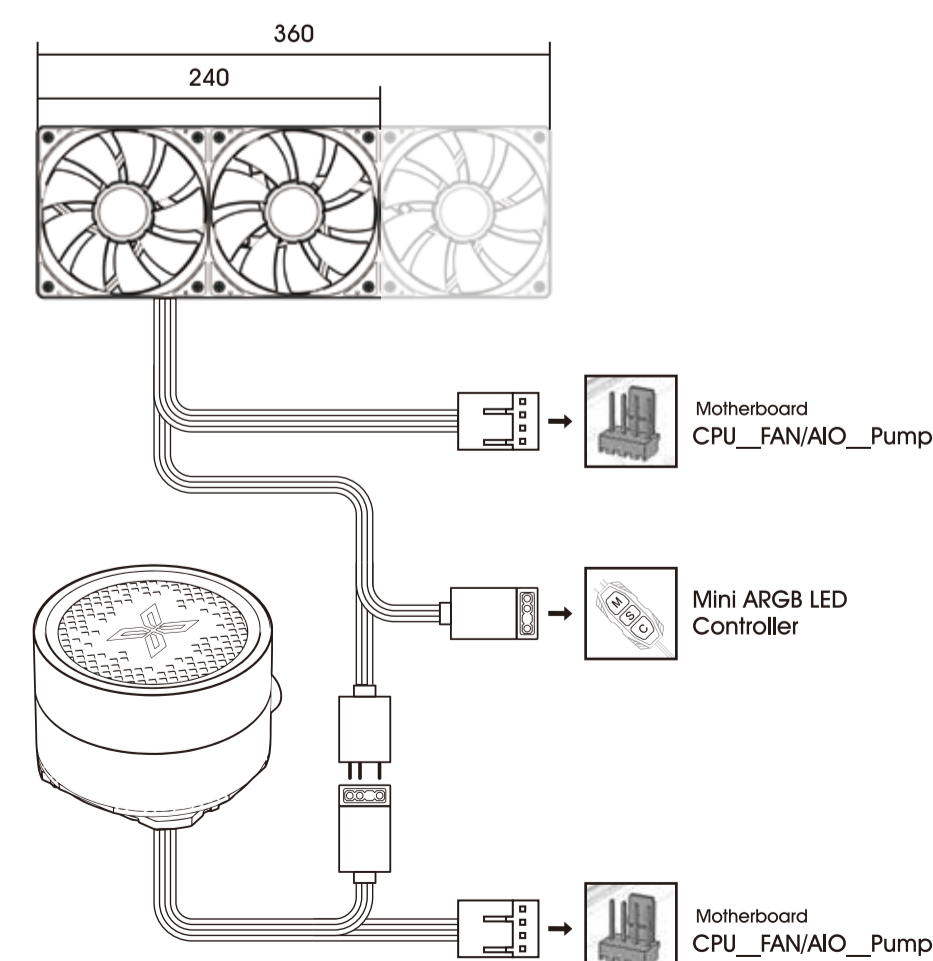
Please Connect the 3Pin ARGB Connector to Mini ARGB LED Controller, Plug and Play.



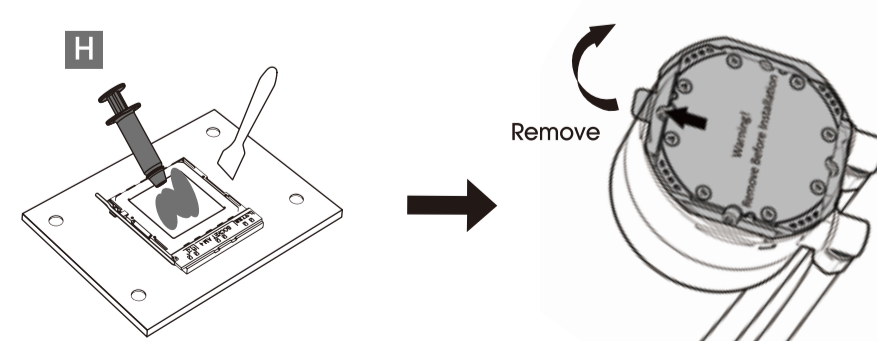
Step.3



Step.6



Step.4



M

Multiple Lighting Effect Mode

Click M Button to Switch Different LED Lighting Effects (9 Lighting Effects)

M > **S**

LED Speed Adjustment

Click M button to Enter Multiple Lighting Effect Mode
Click S Button to Change LED Speed (5 LED Speeds Available)

S > **C** or **M**

LED On/Off

Click S Button and Hold More than 2 Seconds for LED Off
Click M or C Button for LED On

C

LED Single Color Mode

Click C Button to Switch Different LED Single Color (7 Colors Available)

C > **S**

LED Brightness Adjustment

Click C Button to Enter LED Single Color Mode
Click S Button to Adjust LED Brightness (4 Brightness Modes)

