

# EPIX II Series

## User Manual

### Accessories

#### Air Cooler & Fan

- A** Air Cooler x1
- B** Fan Locker x2
- C** PWM Fan x1
- D** Thermal Paste x1

#### For Intel & AMD

- E** Intel Stand-off x4
- F** Intel Backplate Screw Bolt x4
- G** Intel 20XX Stand-off x4
- H** Intel 20XX Backplate Screw Bolt x4
- I** Intel Reinforced Backplate x1
- J** Cooler Base Mounting Bracket x1
- K** AMD Stand-off x4
- L** AMD Backplate Screw Bolt x4

### Intel (LGA 1851/1700/1200/115X/1366)

**Step.1**

**Step.2**

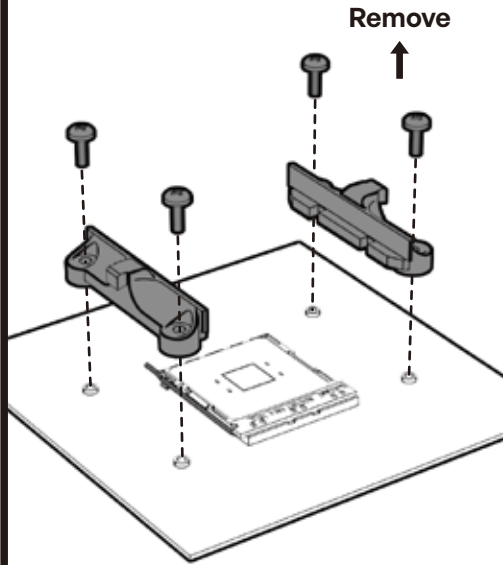
LGA115X	1200/115X
LGA17XX	1851/1700
LGA1366	1366

### Intel (LGA 20XX)

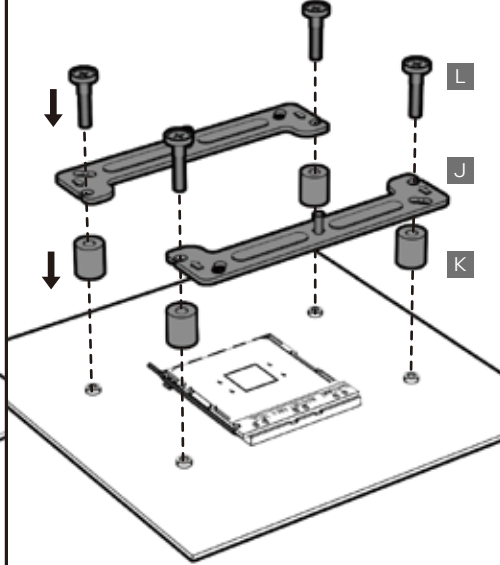
**Step.1**

# AMD (AM5/AM4)

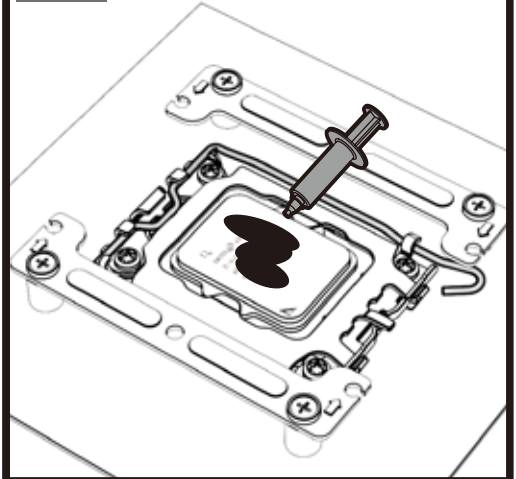
Step.1



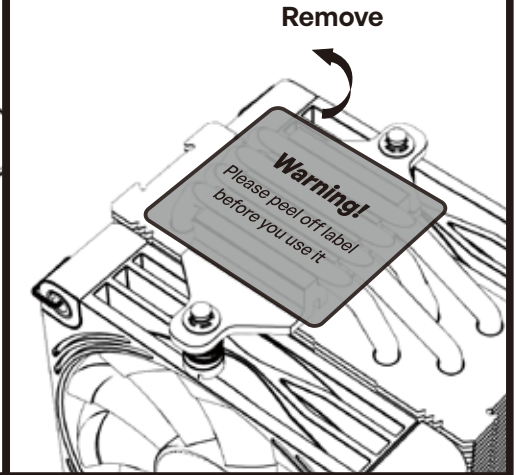
Step.2



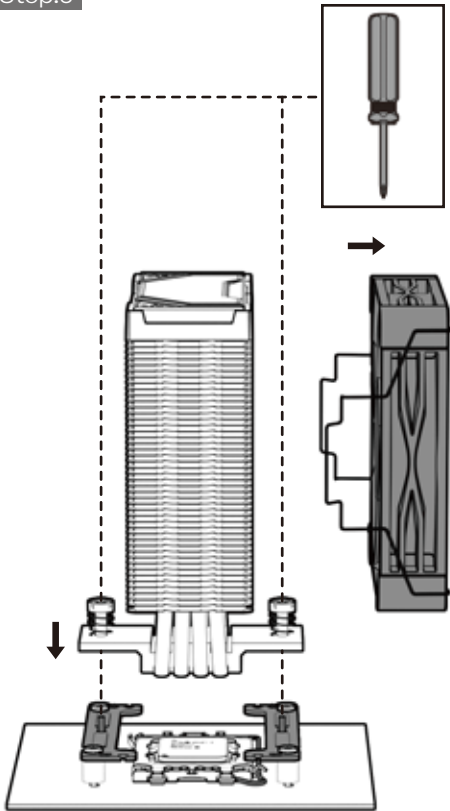
Step.3



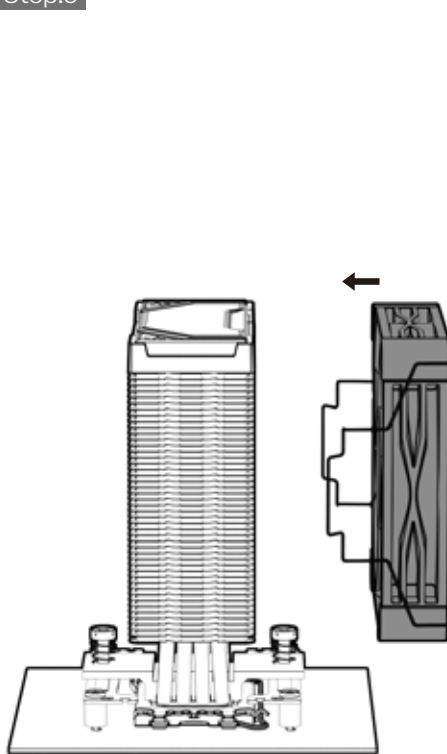
Step.4



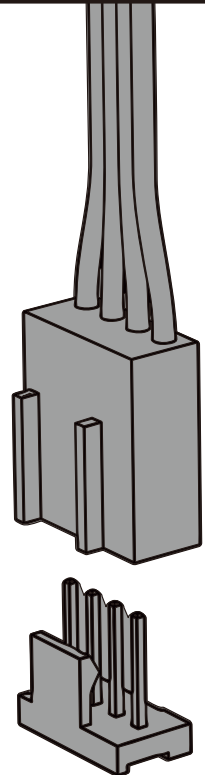
Step.5



Step.6



Step.7



4P PWM Connector