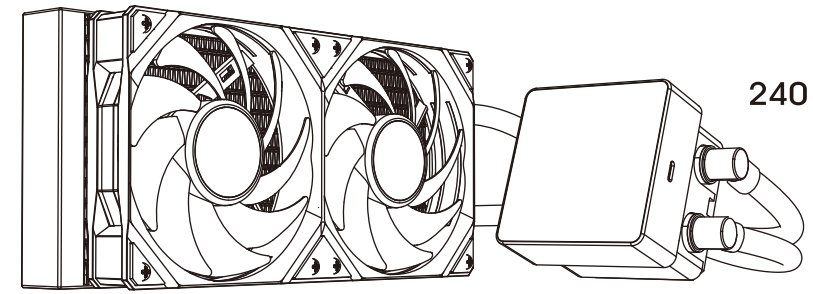
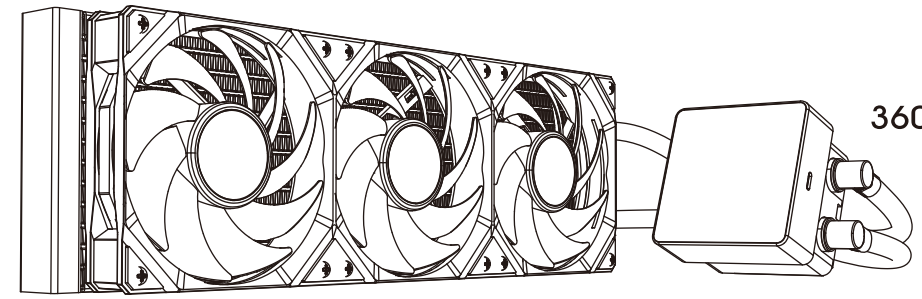




# Connect Series User Manual



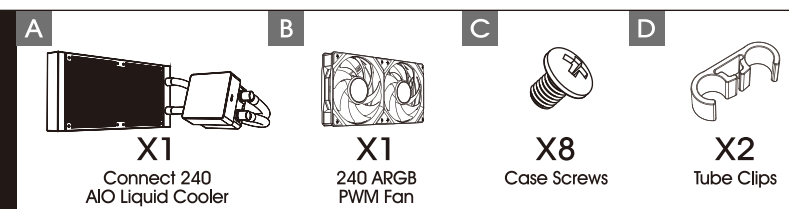
240



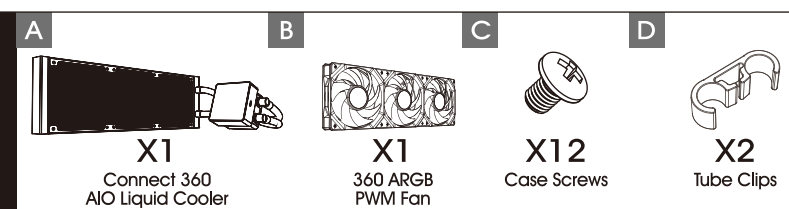
360

## Connect Series Accessories

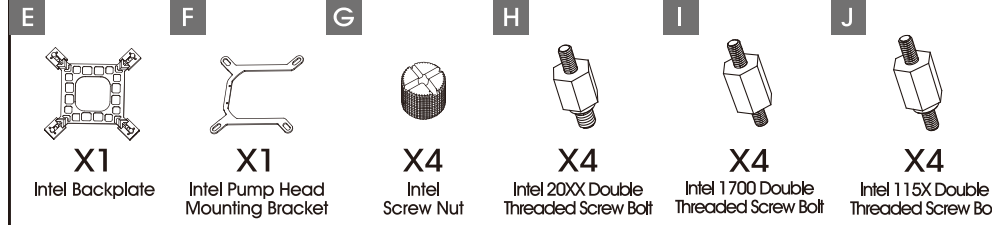
240



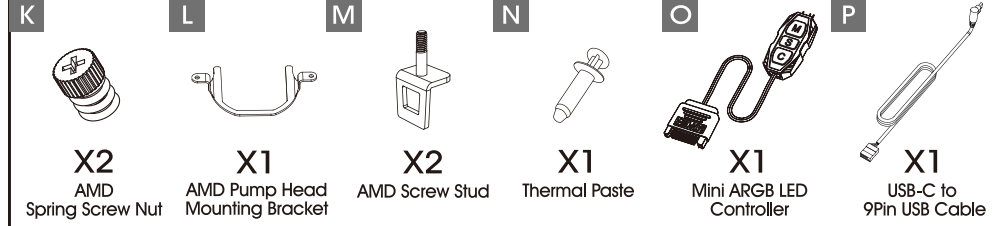
360



For Intel



For AMD

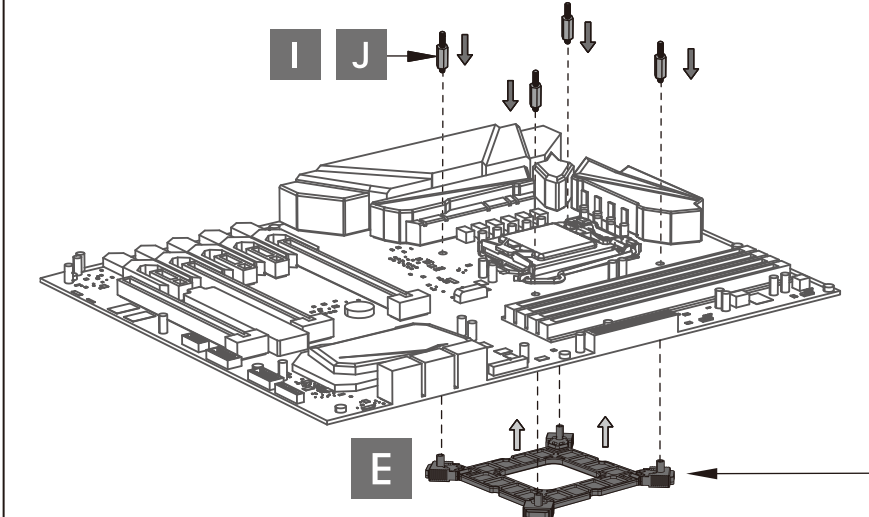
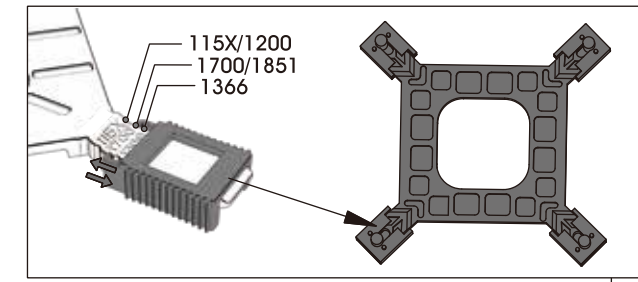


For Intel/AMD

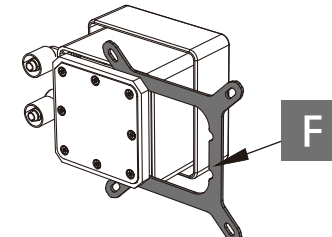
## Intel Installation Guide

For Intel LGA 1851/1700/1200/115X

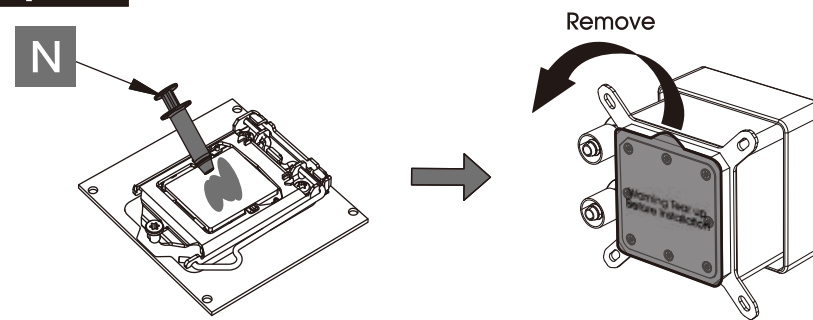
Step.1



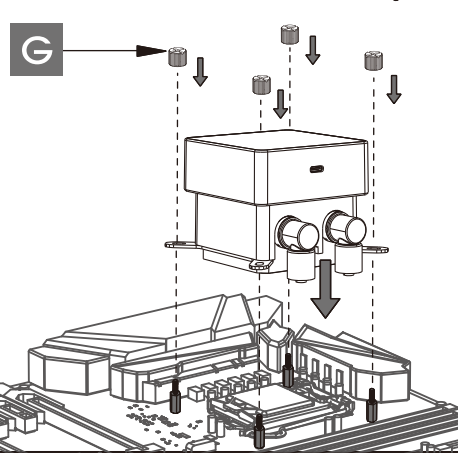
Step.2



Step.3

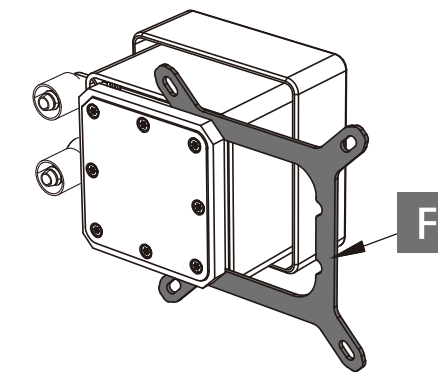


Step.4

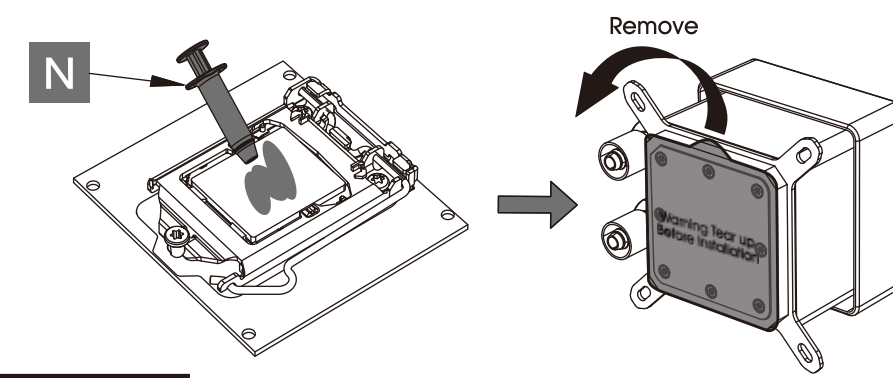


For Intel LGA 20XX

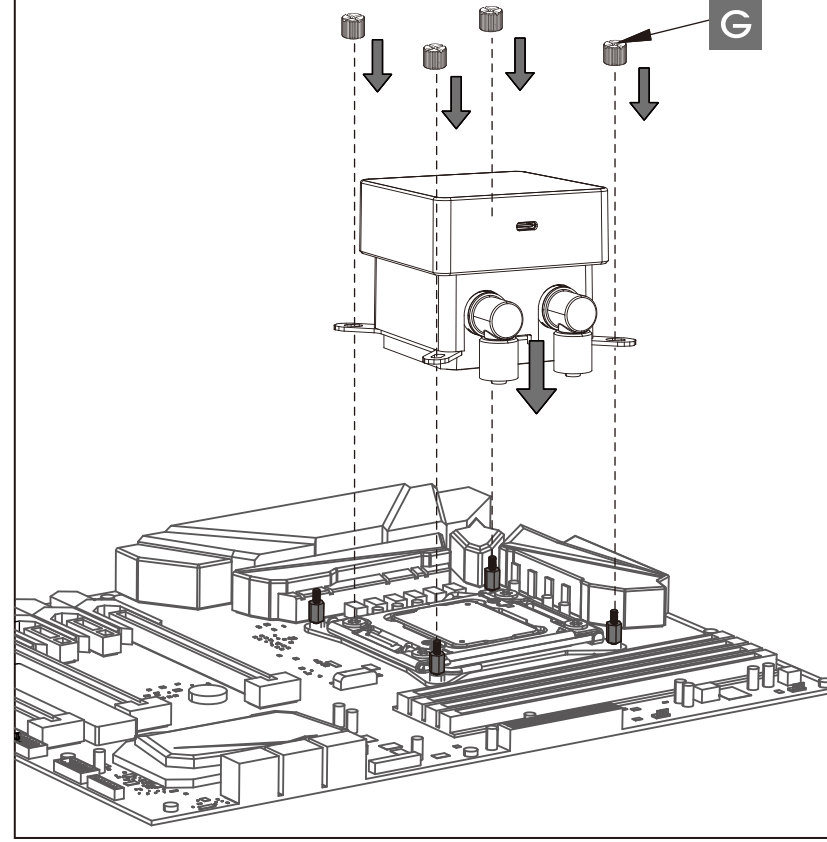
Step.1



Step.2



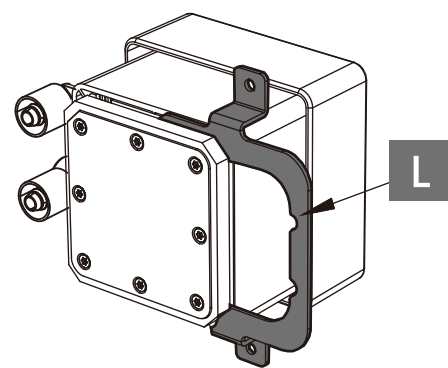
Step.3



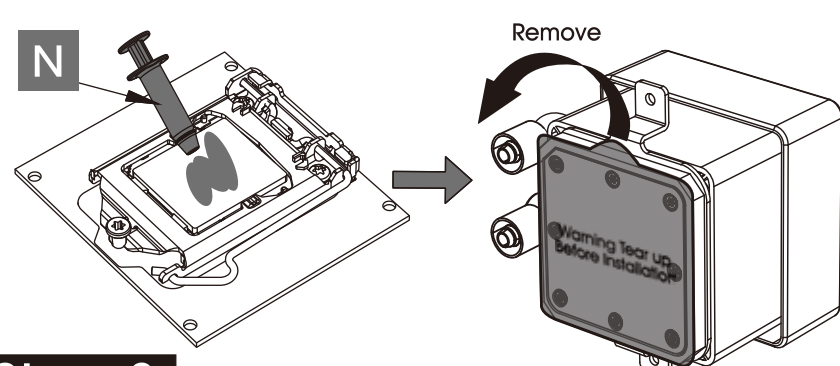
## AMD Installation Guide

For AMD AM5/AM4/AM3/AM2

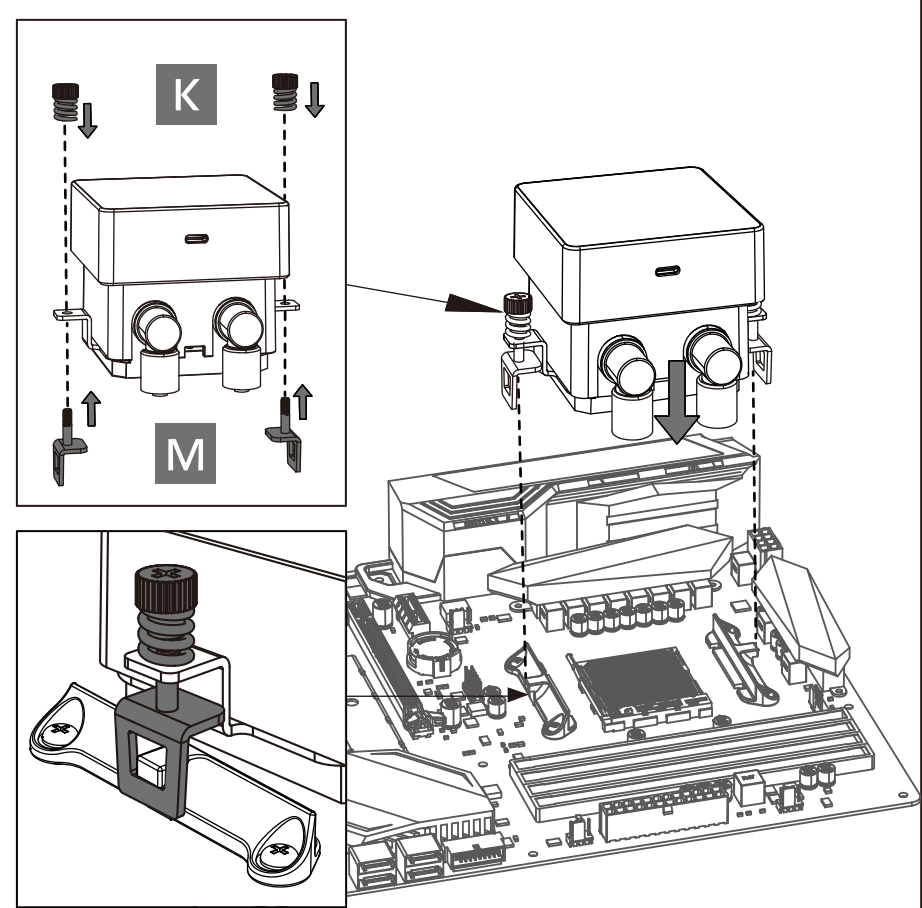
Step.1



Step.2

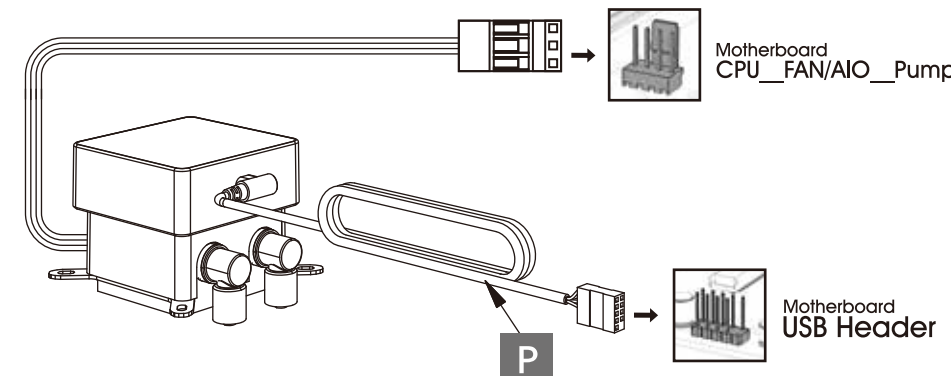


Step.3

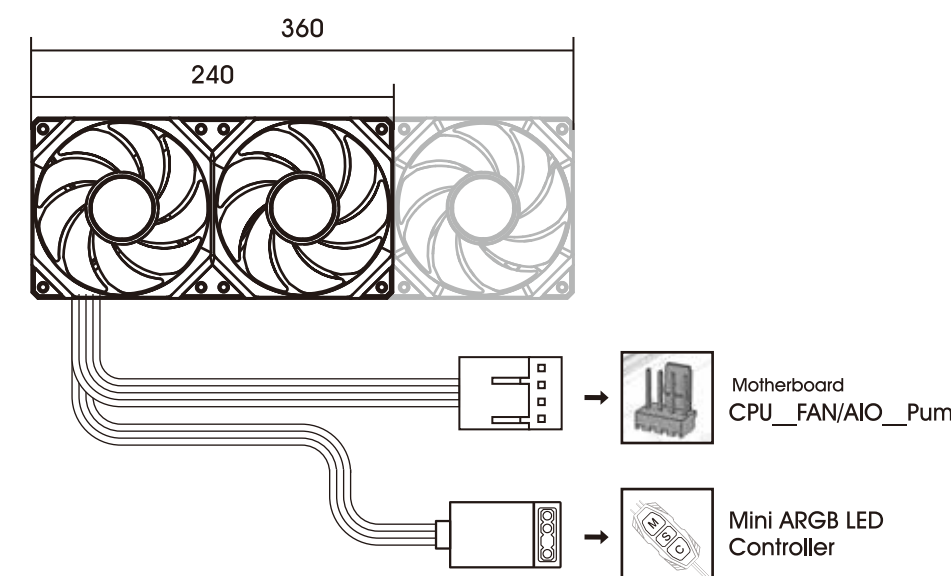


## Cable & Connector Installation

Pump



Fan



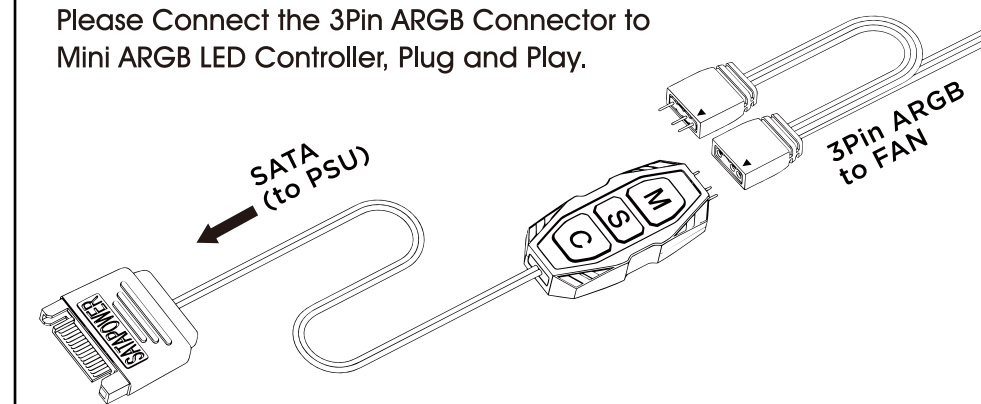
1. Pump Head to Motherboard USB Header
2. Pump to Motherboard CPU Fan Socket (Please Set BIOS CPU Fan Speed at Full Speed Mode)
3. Connect to Motherboard PWM 4P Socket
4. ARGB Fan to ARGB SYNC Motherboard or Mini ARGB LED Controller

## Smart Digital LCD Display Software



## Mini ARGB LED Controller

Please Connect the 3Pin ARGB Connector to Mini ARGB LED Controller, Plug and Play.



M

### Multiple Lighting Effect Mode

Click M Button to Switch Different LED Lighting Effects (9 Lighting Effects)

M > S

### LED Speed Adjustment

Click M button to Enter Multiple Lighting Effect Mode  
Click S Button to Change LED Speed (5 LED Speeds Available)

OFF > S > ON > C or M

### LED On/Off

Click S Button and Hold More than 2 Seconds for LED Off Click M or C Button for LED On

C

### LED Single Color Mode

Click C Button to Switch Different LED Single Color (7 Colors Available)

C > S

### LED Brightness Adjustment

Click C Button to Enter LED Single Color Mode  
Click S Button to Adjust LED Brightness (4 Brightness Modes)