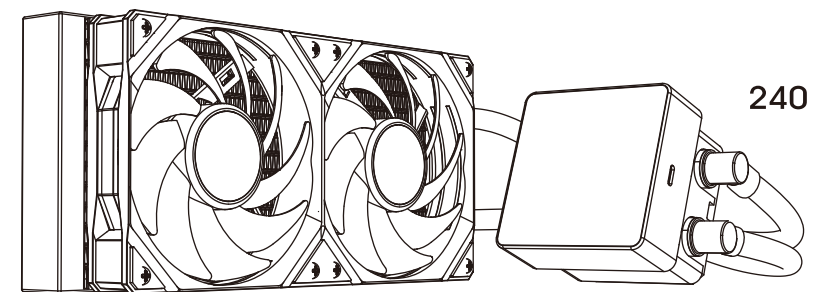
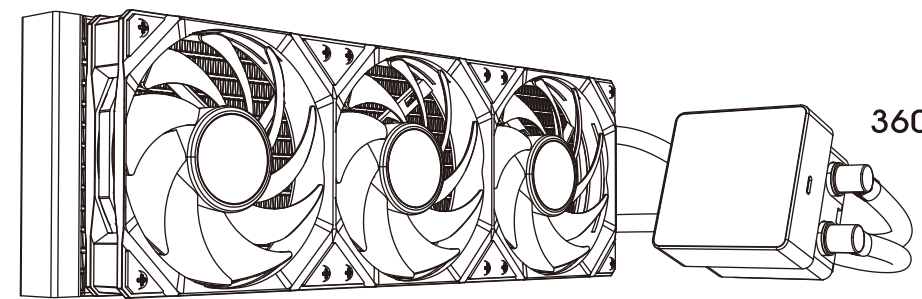




Connect Series User Manual



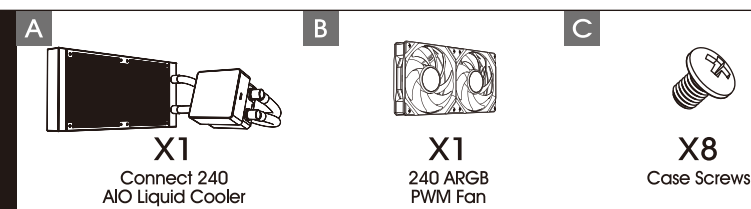
240



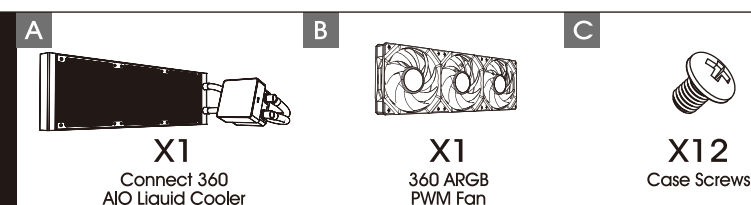
360

Connect Series Accessories

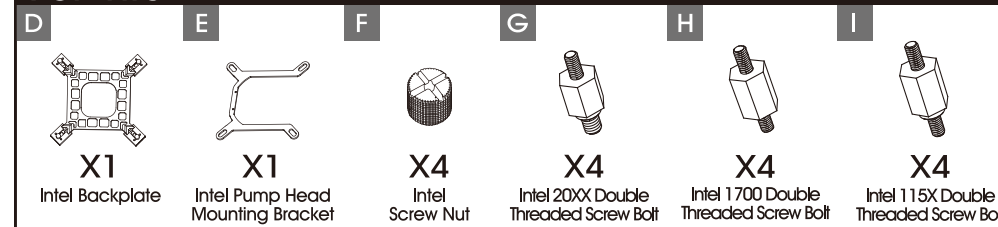
240



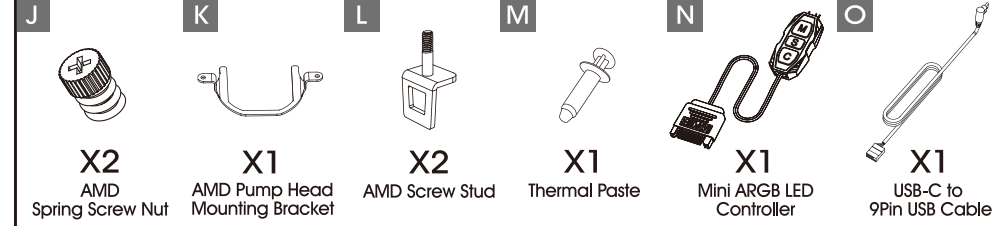
360



For Intel



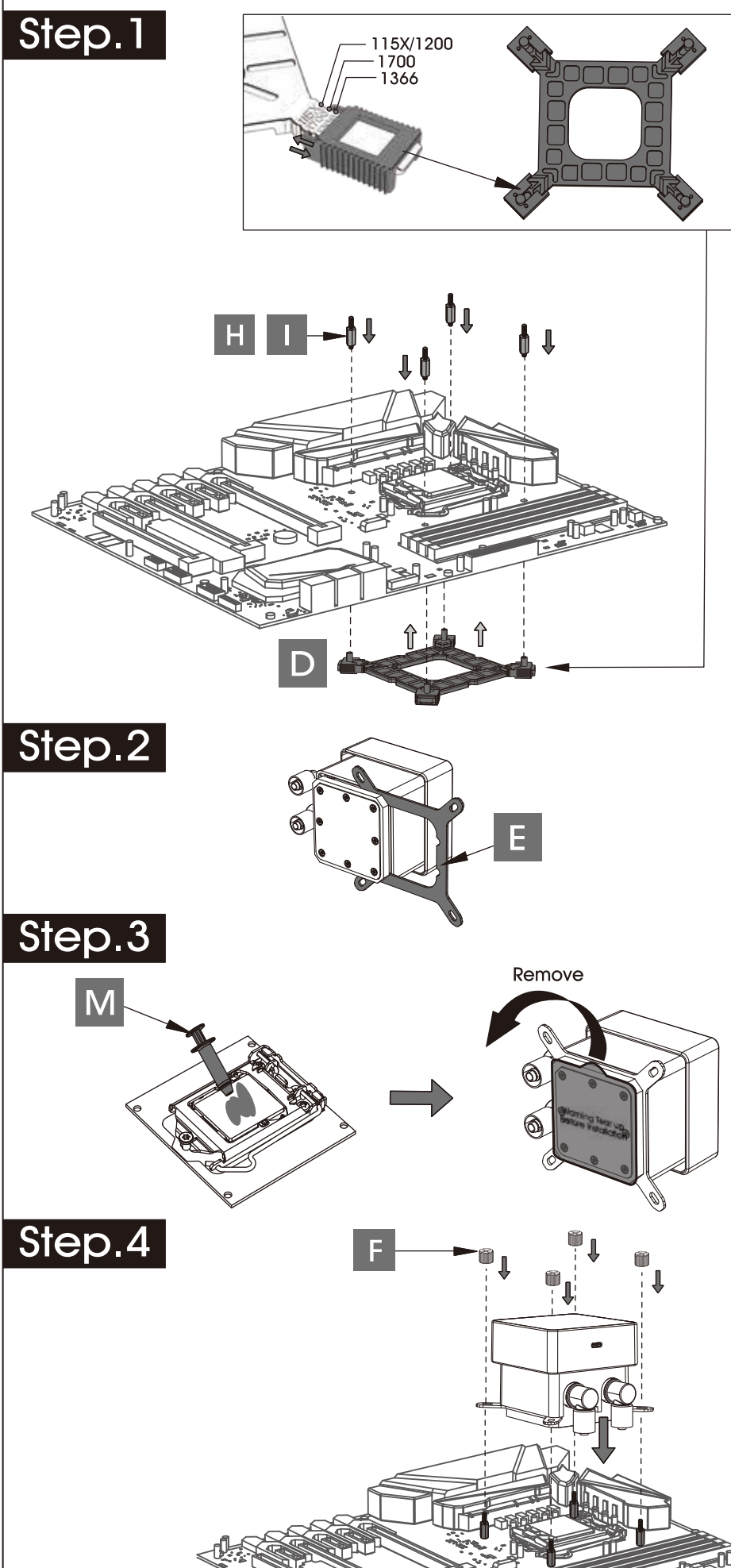
For AMD



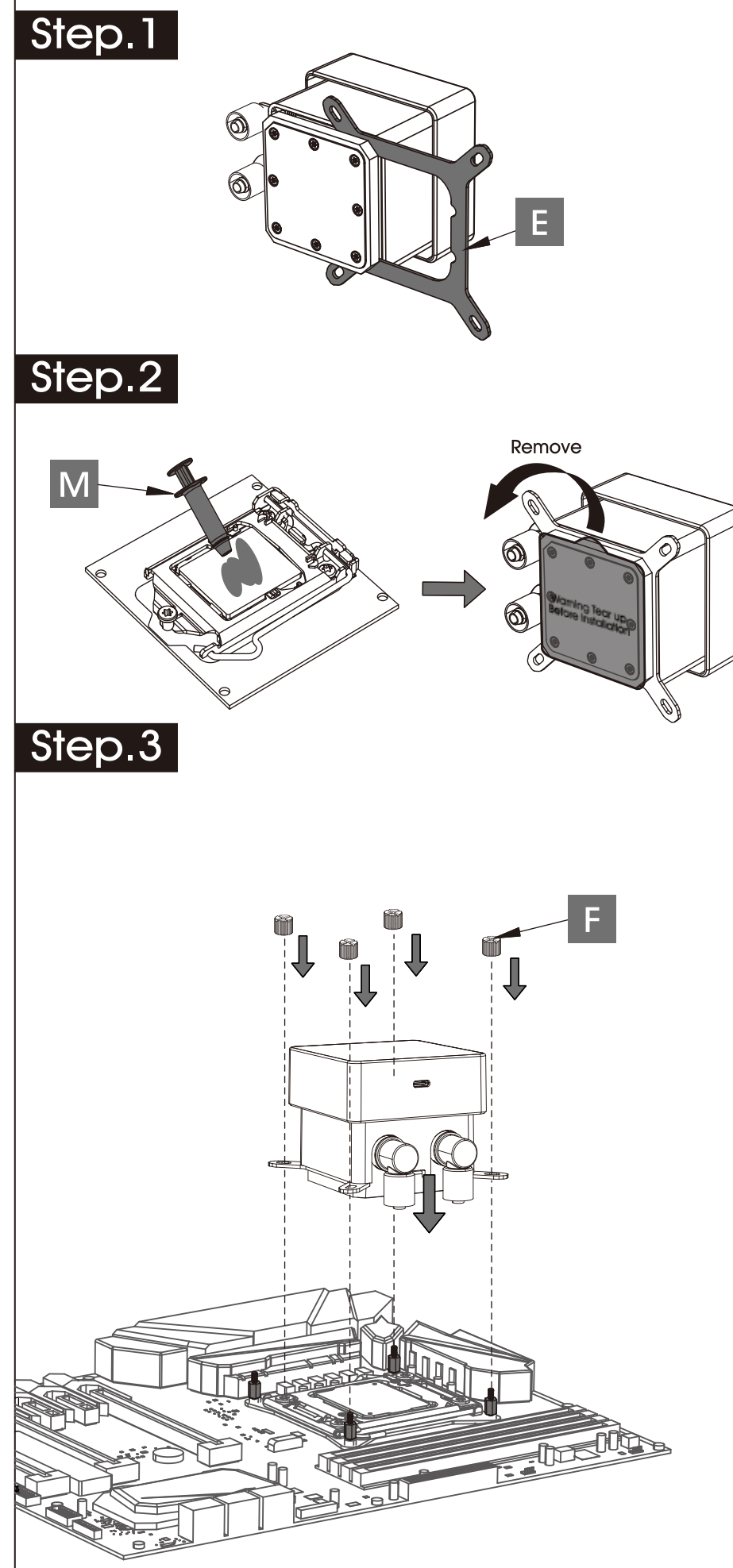
For Intel/AMD

Intel Installation Guide

For Intel LGA 1700/1200/115X

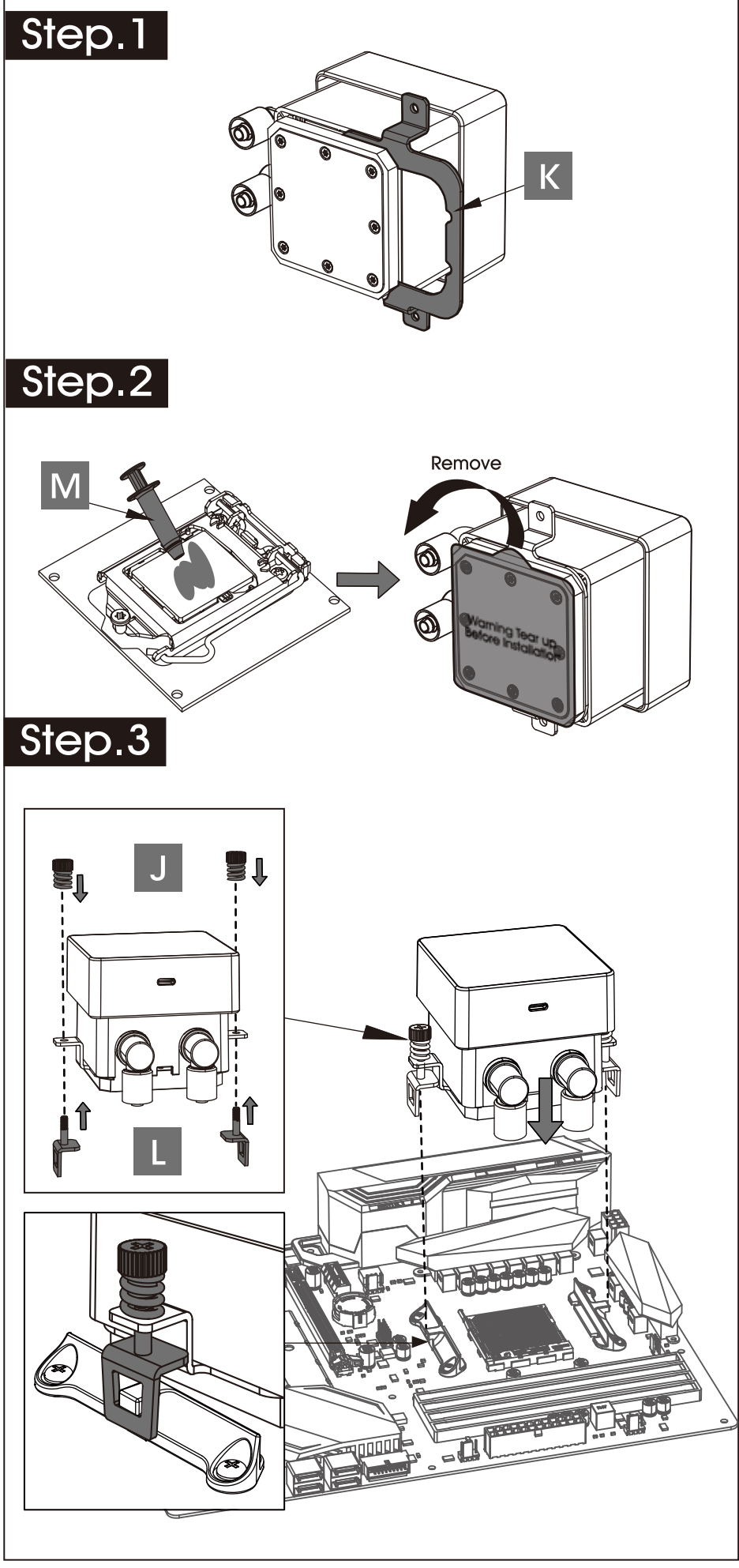


For Intel LGA 20XX

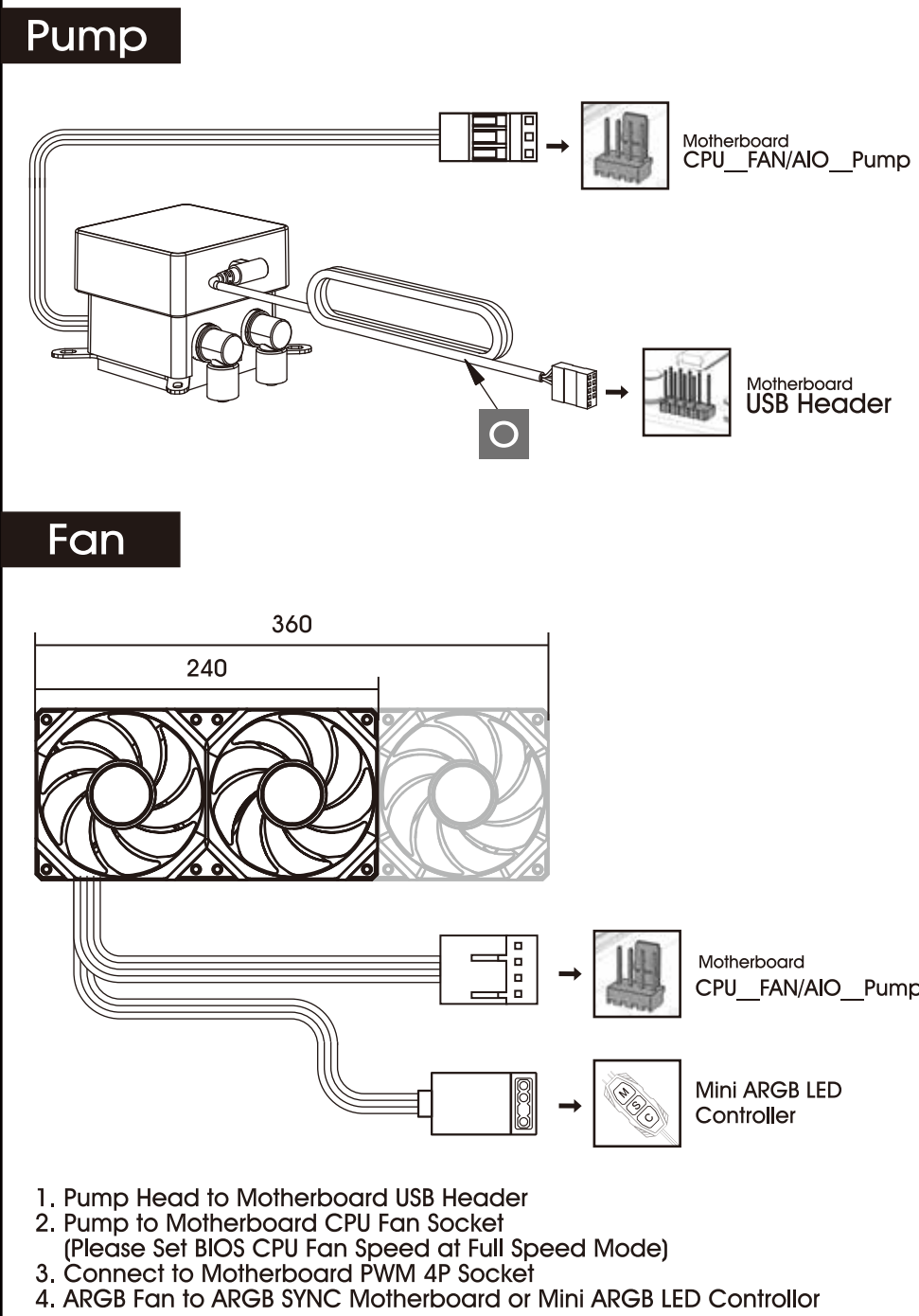


AMD Installation Guide

For AMD AM5/AM4/AM3/AM2



Cable & Connector Installation

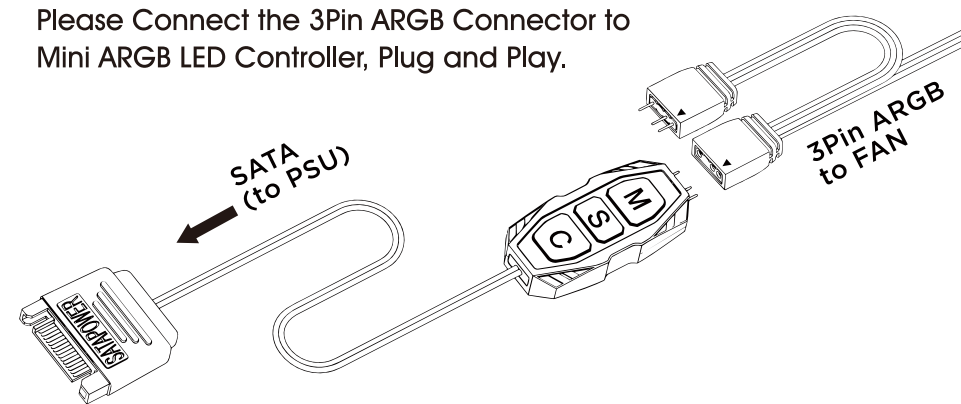


Smart Digital LCD Display Software



Mini ARGB LED Controller

Please Connect the 3Pin ARGB Connector to Mini ARGB LED Controller, Plug and Play.



M

Multiple Lighting Effect Mode

Click M Button to Switch Different LED Lighting Effects (9 Lighting Effects)

M > S

LED Speed Adjustment

Click M button to Enter Multiple Lighting Effect Mode
Click S Button to Change LED Speed (5 LED Speeds Available)

S

LED On/Off

Click S Button and Hold More than 2 Seconds for LED Off Click M or C Button for LED On

C

LED Single Color Mode

Click C Button to Switch Different LED Single Color (7 Colors Available)

C > S

LED Brightness Adjustment

Click C Button to Enter LED Single Color Mode
Click S Button to Adjust LED Brightness (4 Brightness Modes)