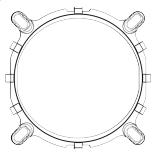

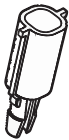
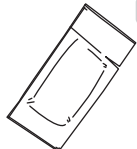




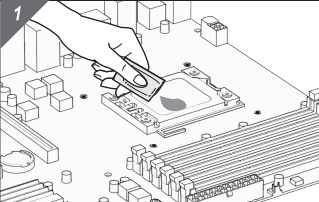
APACHE PLUS

APACHE PLUS User Manual
散熱器說明書

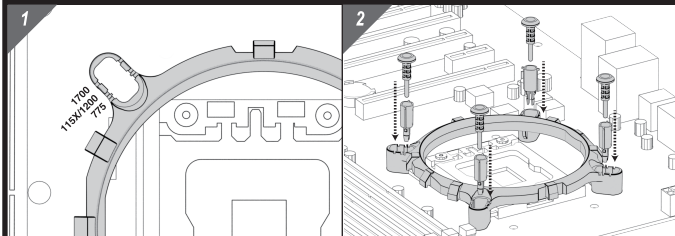
APACHE PLUS Accessories

<p>1</p>  <p>Intel Mounting Bracket Intel 散熱器固定支架</p>	<p>2</p> <p>X4</p>  <p>Push-Pin Male Push-Pin固定扣 (公頭)</p>	<p>3</p> <p>X4</p>  <p>Push-Pin Female Push-Pin固定扣 (母座)</p>
<p>4</p> <p>X1</p>  <p>Thermal Paste 散熱膏</p>		

APACHE PLUS Installation

<p>1</p> 	<ul style="list-style-type: none">• Apply and spread thermal grease evenly on the CPU surface.• CPU表面擠適量散熱膏，塗抹均勻
---	---

LGA 1700/115X & 1200/775

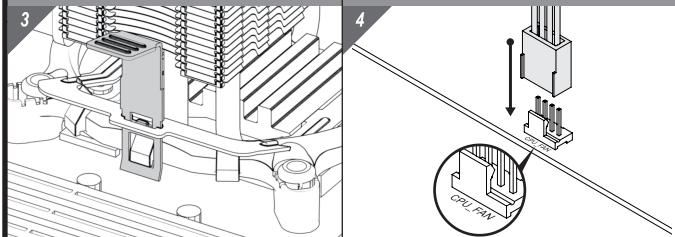


- Position the Intel mounting bracket on the motherboard.

● 將Intel散熱器固定支架放置在主機板上。

- Install the Push-Pin.

● 安裝Push-Pin固定扣。



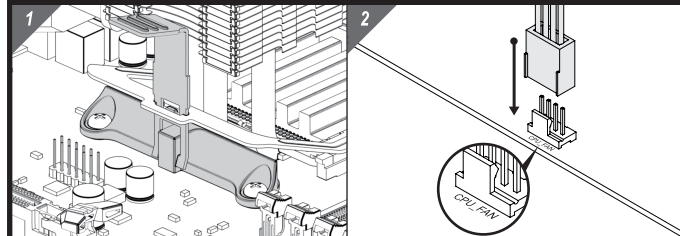
- Install the cooler with pre-installed mounting clips

● 安裝散熱器預鎖好的固定扣具。

- Connect cooling fan 4Pin PWM connector to motherboard CPU Fan socket.

● 連接散熱風扇4Pin PWM接頭到主機板CPU Fan孔位

AM5/AM4/AM3/AM2



- Install the cooler with pre-installed mounting clips

● 安裝散熱器預鎖好的固定扣具。

- Connect cooling fan 4Pin PWM connector to motherboard CPU Fan socket.

● 連接散熱風扇4Pin PWM接頭到主機板CPU Fan孔位

1. Keep and store the product away from the reach of children.
2. Check the component list and condition of the product before installation. If there is any problem, contact the shop where you purchased to get a replacement or refund.
3. Zigmatek Co., Ltd. is not responsible for any damages due to external causes, including but not limited to, improper use, problems with electrical power, accident, neglect, alteration, repair, improper installation, and improper testing.
4. CPU and motherboard are subject to damage if the product is incorrectly installed.

1. 請放置於兒童無法接觸的地方。
2. 安裝前請檢查產品及零件包，如有任何問題，請聯絡購買商店。
3. 產品因非自然的外在因素所造成的損壞，如有下列狀況發生，則產品皆不適用於富鈞科技產品保固條款，因意外事件、人為破壞、誤用、未授權拆卸、天然災害、錯誤安裝或電源問題所造成之損壞。
4. CPU & 主機板如未按標準安裝，不適用於富鈞科技產品保固條款。