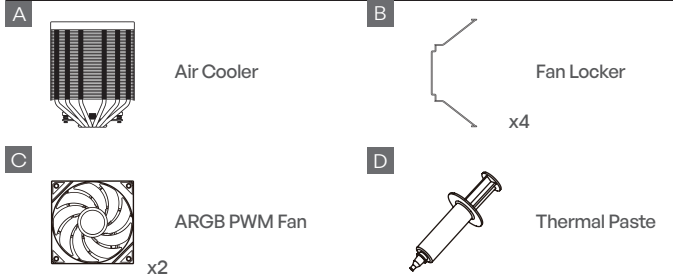


# AK6 Dual Digital Series

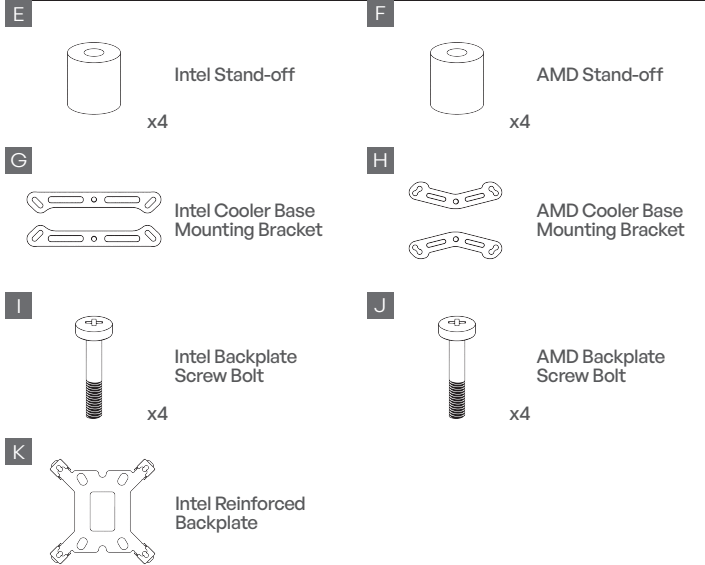
## User Manual

### Accessories

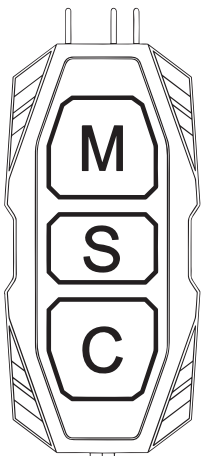
#### Air Cooler & Fan



#### For Intel & AMD



### Mini ARGB LED Controller



**M**  
**Multiple Lighting Effect Mode**  
 Click M Button to Switch Different LED Lighting Effects (9 Lighting Effects)

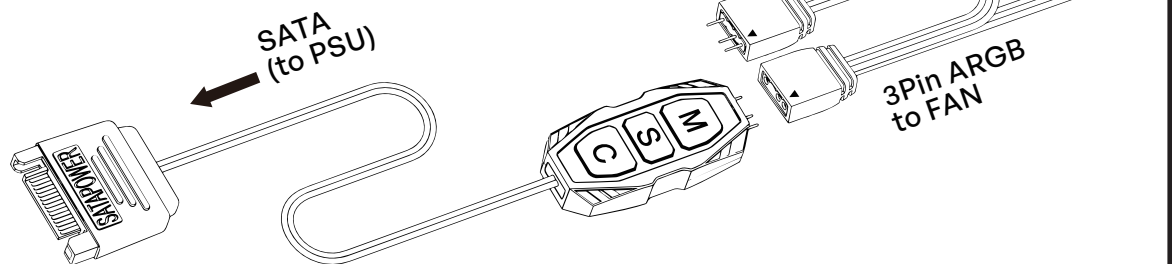
OFF  
**S** > **C** or **M**  
 2 SEC  
**LED On/Off**  
 Click S Button and Hold More than 2 Seconds for LED Off Click M or C Button for LED On

**C** > **S**  
**LED Brightness Adjustment**  
 Click C Button to Enter LED Single Color Mode  
 Click S Button to Adjust LED Brightness (4 Brightness Modes)

**M** > **S**  
**LED Speed Adjustment**  
 Click M button to Enter Multiple Lighting Effect Mode  
 Click S Button to Change LED Speed (5 LED Speeds Available)

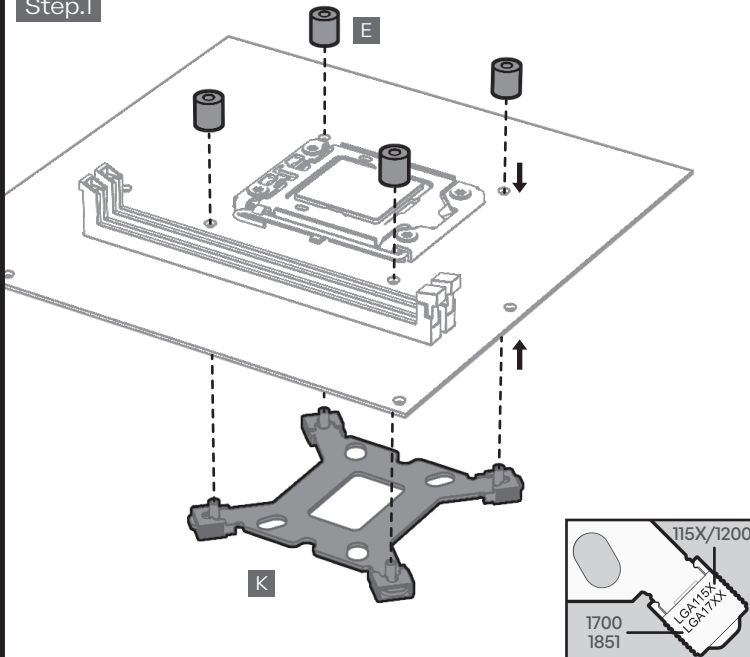
**C**  
**LED Single Color Mode**  
 Click C Button to Switch Different LED Single Color (7 Colors Available)

Please Connect the 3Pin ARGB Connector to Mini ARGB LED Controller, Plug and Play.

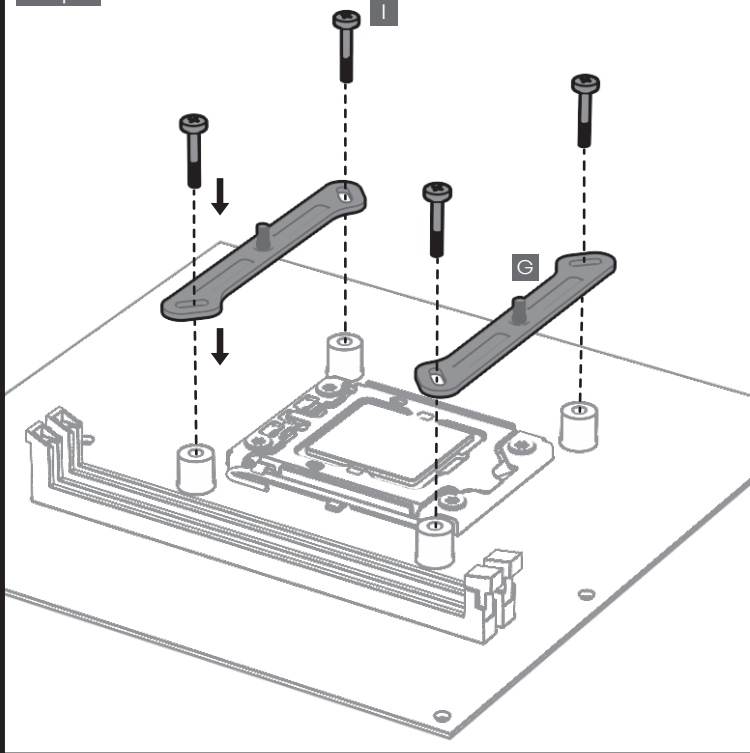


# Intel (LGA 1851/1700/1200/115X) Installation Guide

Step.1

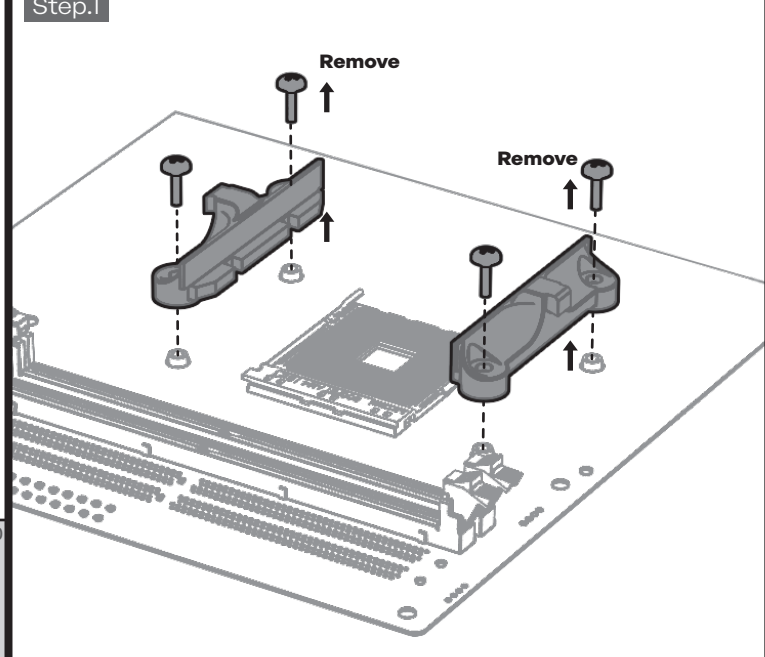


Step.2

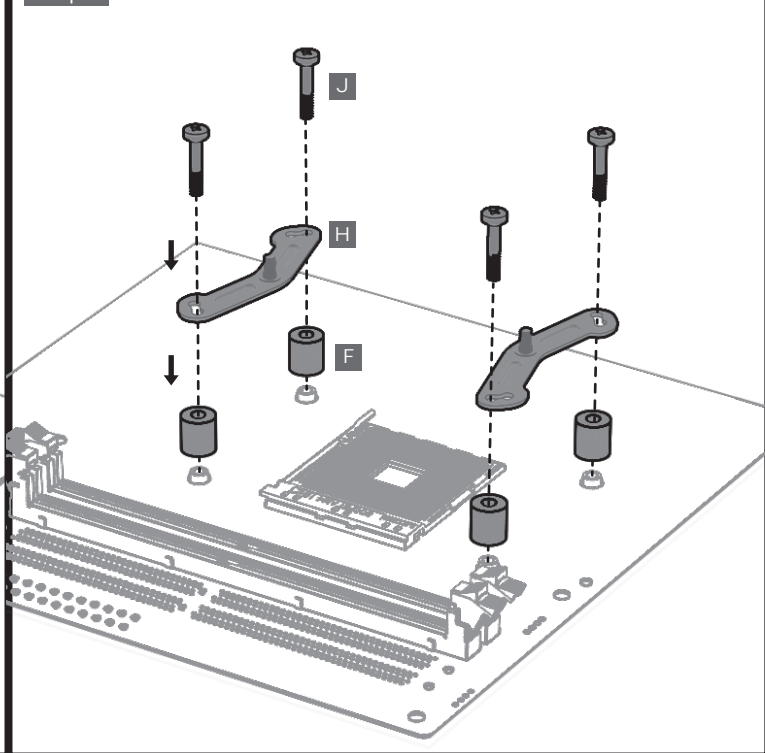


# AMD (AM4/AM5) Installation Guide

Step.1



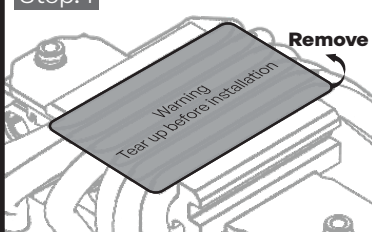
Step.2



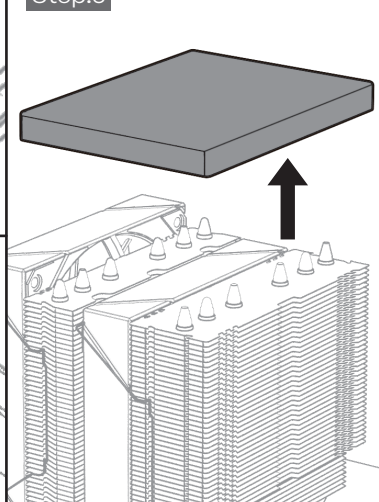
Step.3



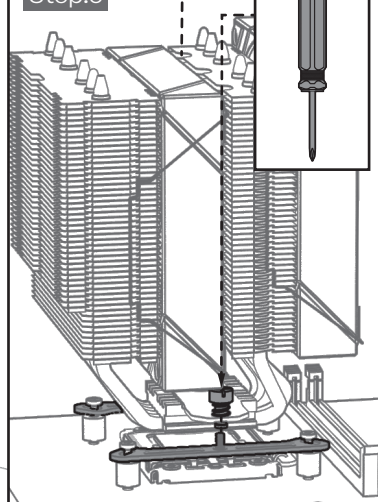
Step.4



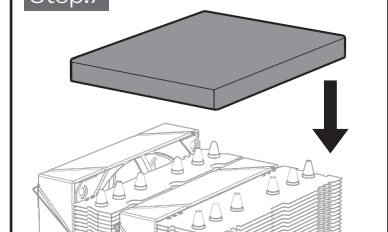
Step.5



Step.6



Step.7



Step.8

